

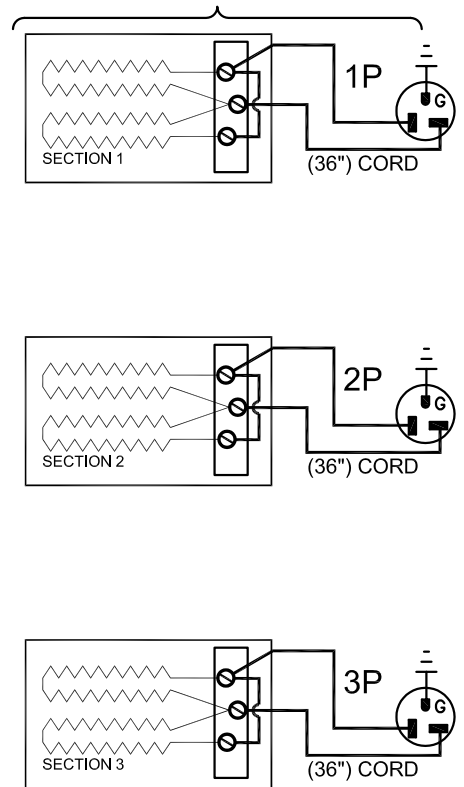
SINGLE PHASE MODELS:

MODEL JD230-JH	
VOLTAGE	208 / 1 / 50-60
WATTS	12,480
FULL LOAD AMPS	L1 L2 L3 60.0 60.0 \times
POWER SUPPLY	FUSE WIRE 80A 3 AWG
ELEMENTS (E-J-230Q/2K)	QTY OHMS 6 20.0
VOLTAGE	220 / 1 / 50-60
WATTS	12,540
FULL LOAD AMPS	L1 L2 L3 57.0 57.0 \times
POWER SUPPLY	FUSE WIRE 80A 3 AWG
ELEMENTS (E-J-230Q/4K)	QTY OHMS 6 22.3
VOLTAGE	240 / 1 / 50-60
WATTS	13,680
FULL LOAD AMPS	L1 L2 L3 57.0 57.0 \times
POWER SUPPLY	FUSE WIRE 80A 3 AWG
ELEMENTS (E-J-230Q/3K)	QTY OHMS 6 24.3

THREE PHASE MODELS:

MODEL JD230-JH	
VOLTAGE	208 / 3 / 50-60
WATTS	12,480
FULL LOAD AMPS	L1 L2 L3 34.7 34.7 34.7
POWER SUPPLY	FUSE WIRE 50A 6 AWG
ELEMENTS (E-J-230Q/2K)	QTY OHMS 6 20.0
VOLTAGE	220 / 3 / 50-60
WATTS	12,540
FULL LOAD AMPS	L1 L2 L3 32.9 32.9 32.9
POWER SUPPLY	FUSE WIRE 50A 6 AWG
ELEMENTS (E-J-230Q/4K)	QTY OHMS 6 22.3
VOLTAGE	240 / 3 / 50-60
WATTS	13,680
FULL LOAD AMPS	L1 L2 L3 32.9 32.9 32.9
POWER SUPPLY	FUSE WIRE 50A 6 AWG
ELEMENTS (E-J-230Q/3K)	QTY OHMS 6 24.3

KILN ASSEMBLY



SECTIONS CONTROLLED BY EACH OF THE 'DYNA-TROL' OUTPUTS:
OUTPUT #1 (TOP)
OUTPUT #2 (CENTER)
OUTPUT #3 (BOTTOM)

1 PHASE CONTROL PANELS:

MODEL	(AUTO/MANUAL)	WIRING DIAGRAM
JD230-JH	(AUTO)	K262-153

3 PHASE CONTROL PANELS:

MODEL	(AUTO/MANUAL)	WIRING DIAGRAM
JD230-JH	(AUTO)	K262-154

SEE CONTROL PANEL WIRING DIAGRAM FOR WIRING CONNECTIONS TO KILN ZONE RECEPTACLES

NOTES:

Industrial & commercial applications may require the installation of a LOCKOUT/TAGOUT device to prevent the Kiln from operating during maintenance.

This Kiln is recommended to be wired & connected to an approved U. L. & NEC configured disconnect switch and properly fused according to the KW load specification listed on the Kiln Nameplate. L&L Kiln Mfg., Inc., also recommends fuses rather than circuit breakers to prevent nuisance tripping.

Output Numbers refer to Dyna-Trol Outputs on Automatic Kilns only.



CAUTION: DO NOT PLUG KILN SECTIONS DIRECTLY TO LINE VOLTAGE

REV#	DATE	REVISION DESCRIPTION
C	5/17/11	PREVIOUSLY WAS KSH080601
B	10/19/09	EDITED MODEL NUMBER INFORMATION
A	9/18/08	UPDATED ELECTRICAL SPECIFICATIONS
0	6/5/08	FIRST ISSUE

L&L Kilns
hotkilns.com
505 SHARPTOWN ROAD
SWEDESBORO, NJ 08085
PHONE: (856) 294-0077
FAX: (856) 294-0070

TITLE **JH SERIES KILN WIRING DIAGRAM
MODEL JD230-JH CRYSTALLINE KILN
1 or 3 PHASE KILN ASSEMBLY
3 SECTIONS, No Power Bottom**

ELECTRICAL PARTS LIST

SYMBOL	QTY	DESCRIPTION	CUSTOMER PART NO.
P	3	36" PLUGS NEMA 6-20P	L-J-JC36/00

DRAWN BY B.N.M.	REV. CODE C	DRAWING NO. K037-160
DATE 6/5/08	SCALE 1 = 8	
CHK S.J.L.	APP	
JOB NO	SER NO	SHEET NO. OF
FILE NAME IK037-160.dwg	MADE FROM	IK037-110.dwg