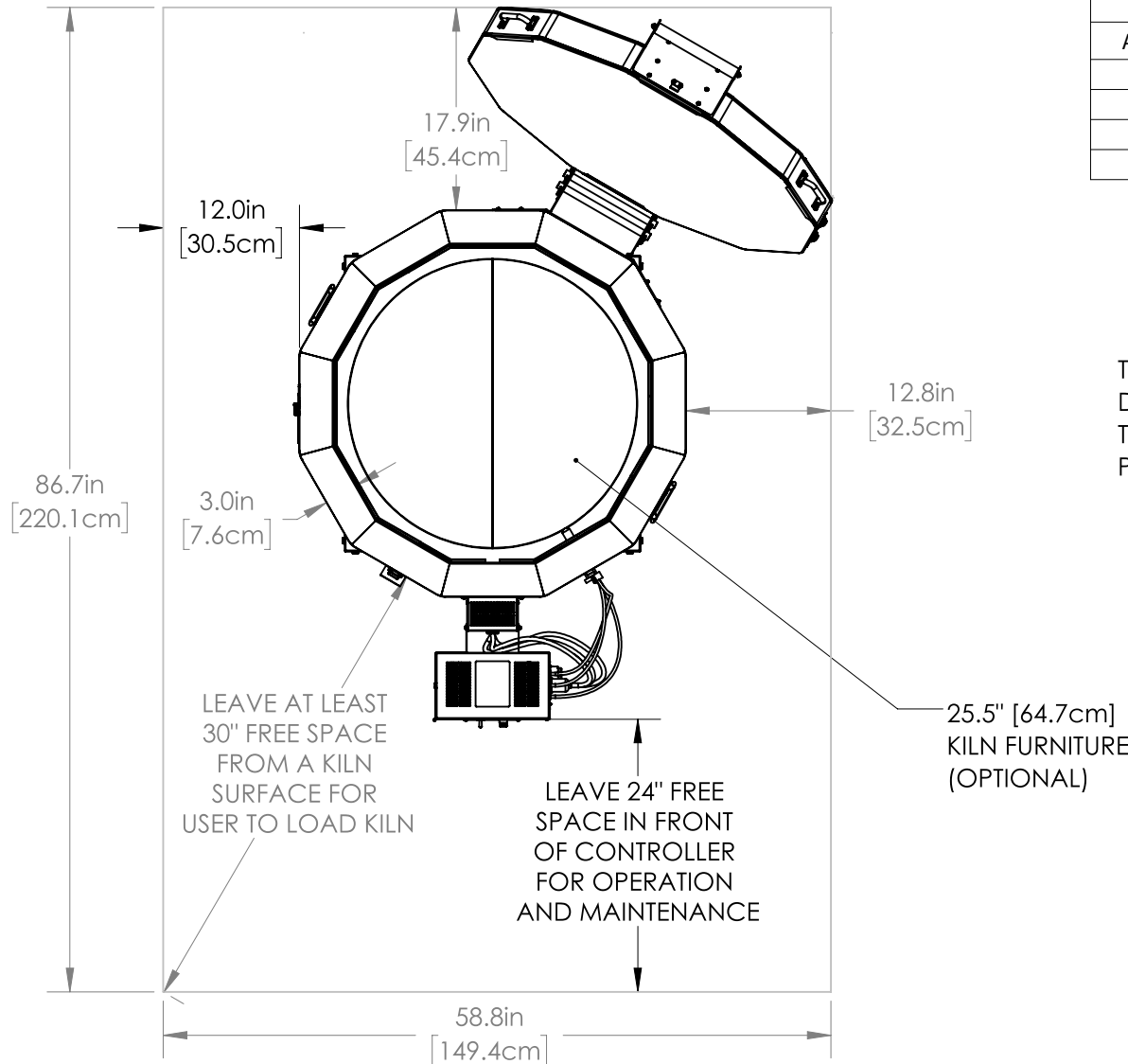


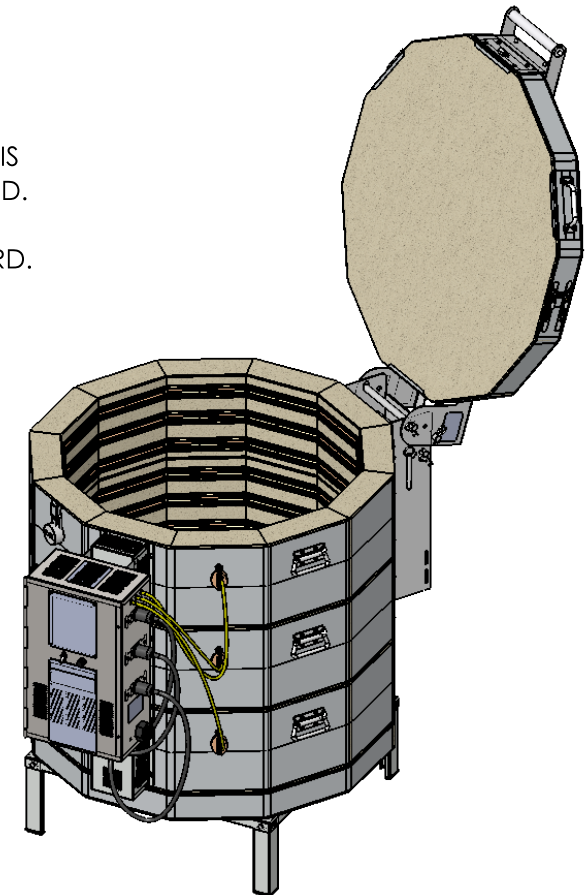
1. WALL/KILN SPACING: 12" [30.5cm] SPACING BETWEEN SIDES OF KILN AND WALLS OR OTHER OBJECTS. 18" [45.7cm] IS RECOMMENDED. LEAVE AT LEAST 18" [45.7cm] BETWEEN TWO KILNS.
2. AMBIENT VENTILATION: SEE CHART TO RIGHT FOR RATINGS. TO CALCULATE REQUIREMENTS, SEE hotkilns.com/calculate-kiln-room-ventilation.
3. KILN VENTILATION: L&L VENT-SURE KILN VENT RECOMMENDED FOR SAFETY AND LONGER ELEMENT LIFE. OPTIONAL CONTROL ALLOWS VENT TO BE TURNED ON AND OFF WITH CONTROL.

4. OTHER INFO: REFER TO INSTALLATION INSTRUCTIONS AND CAUTIONS INSTRUCTIONS FOR OTHER REQUIREMENTS AND SAFETY INFORMATION. REFER TO WIRING DIAGRAM FOR ELECTRICAL HOOKUP INFORMATION.
5. MAX LOAD WEIGHT: SEE hotkilns.com/load-weight.
6. WEIGHT OF KILN : 435 LBS, 197 KG

| BTUS/ KILOJOULES PER HOUR NEEDED TO BE VENTED WITH AMBIENT ROOM VENTILATION (THIS IS IN ADDITION TO KILN VENTING): | | | |
|--|-------|-----------|------------|
| AT TEMP F | BTUS | AT TEMP C | KILOJOULES |
| 1800F | 15614 | 980C | 16474 |
| 2000F | 18254 | 1095C | 19259 |
| 2232F | 21554 | 1222C | 22741 |
| 2350F | 23329 | 1285C | 24613 |



THIS MODEL IS DIRECT WIRED. THERE IS NO POWER CORD.

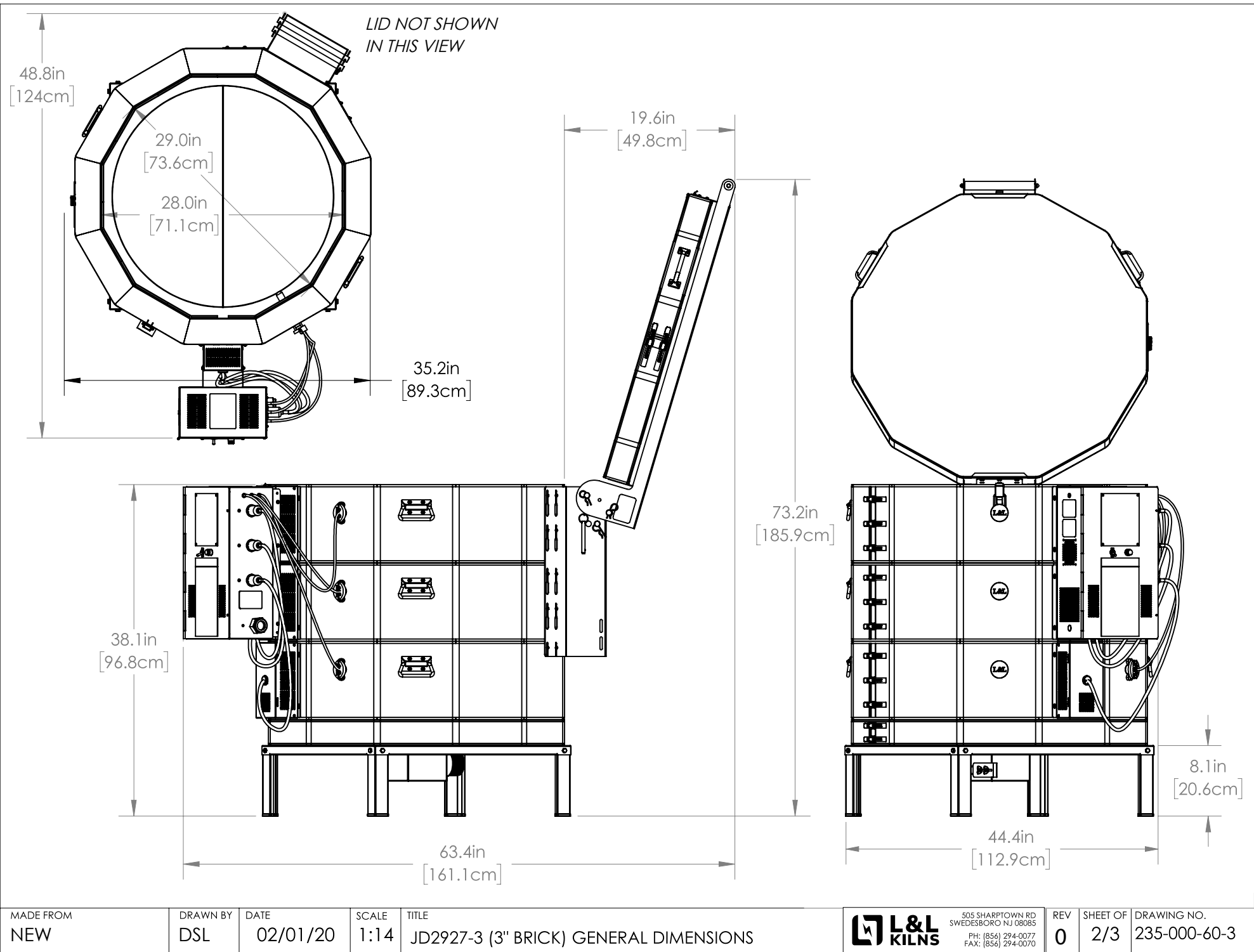


| | | | | |
|------------------|-----------------|------------------|---------------|---|
| MADE FROM NEW | DRAWN BY DSL | DATE 02/01/20 | SCALE 1:16 | TITLE JD2927-3 (3" BRICK) GENERAL DIMENSIONS |
|------------------|-----------------|------------------|---------------|---|



505 SHARPTOWN RD
SWEDESBORO NJ 08085
PH: (856) 294-0077
FAX: (856) 294-0070

| | | |
|----------|-----------------|-----------------------------|
| REV 0 | SHEET OF 1/3 | DRAWING NO. 235-000-60-3 |
|----------|-----------------|-----------------------------|



MADE FROM
NEW

DRAWN BY
DSL

DATE
02/01/20

SCALE
1:14

TITLE
JD2927-3 (3" BRICK) GENERAL DIMENSIONS



505 SHARPTOWN RD
SWEDESBORO NJ 08085
PH: (856) 294-0077
FAX: (856) 294-0070

REV
0

SHEET OF
2/3

DRAWING NO.
235-000-60-3

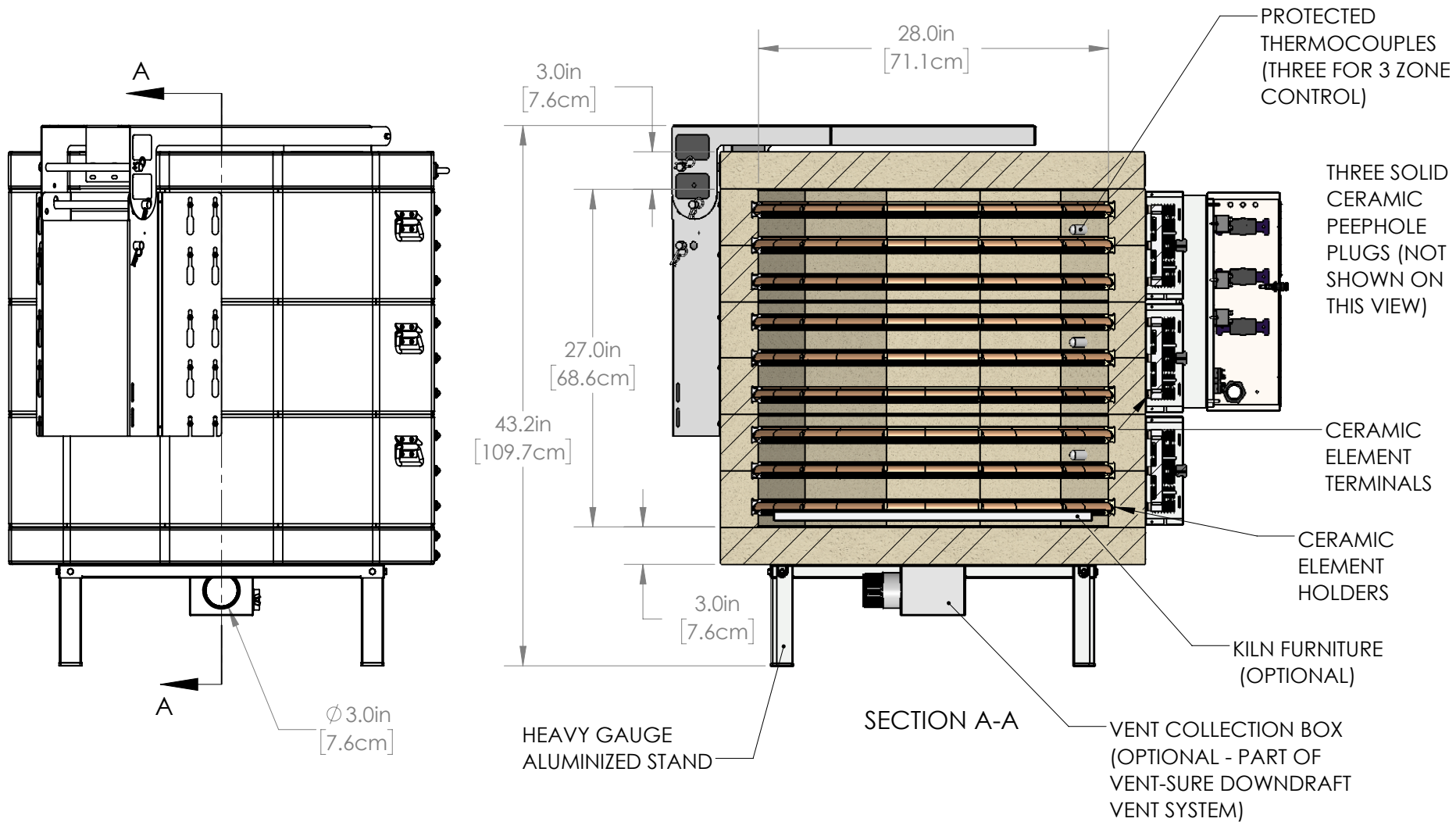
5

4


3

2

1



OPTIONAL FURNITURE KIT: (8) 25.5" [64.7cm] HALF ROUND SHELVES, SIX EACH 1/2", 1", 2", 4", 6" & 8" SQUARE POSTS

| | | | | | | | | | |
|------------------|-----------------|------------------|---------------|---|---|--|----------|-----------------|-----------------------------|
| MADE FROM NEW | DRAWN BY DSL | DATE 02/01/20 | SCALE 1:12 | TITLE JD2927-3 (3" BRICK) GENERAL DIMENSIONS |  | <small>505 SHARPTOWN RD SWEDESBORO NJ 08085 PH: (856) 294-0077 FAX: (856) 294-0070</small> | REV 0 | SHEET OF 3/3 | DRAWING NO. 235-000-60-3 |
|------------------|-----------------|------------------|---------------|---|---|--|----------|-----------------|-----------------------------|

5

4

3

2

1