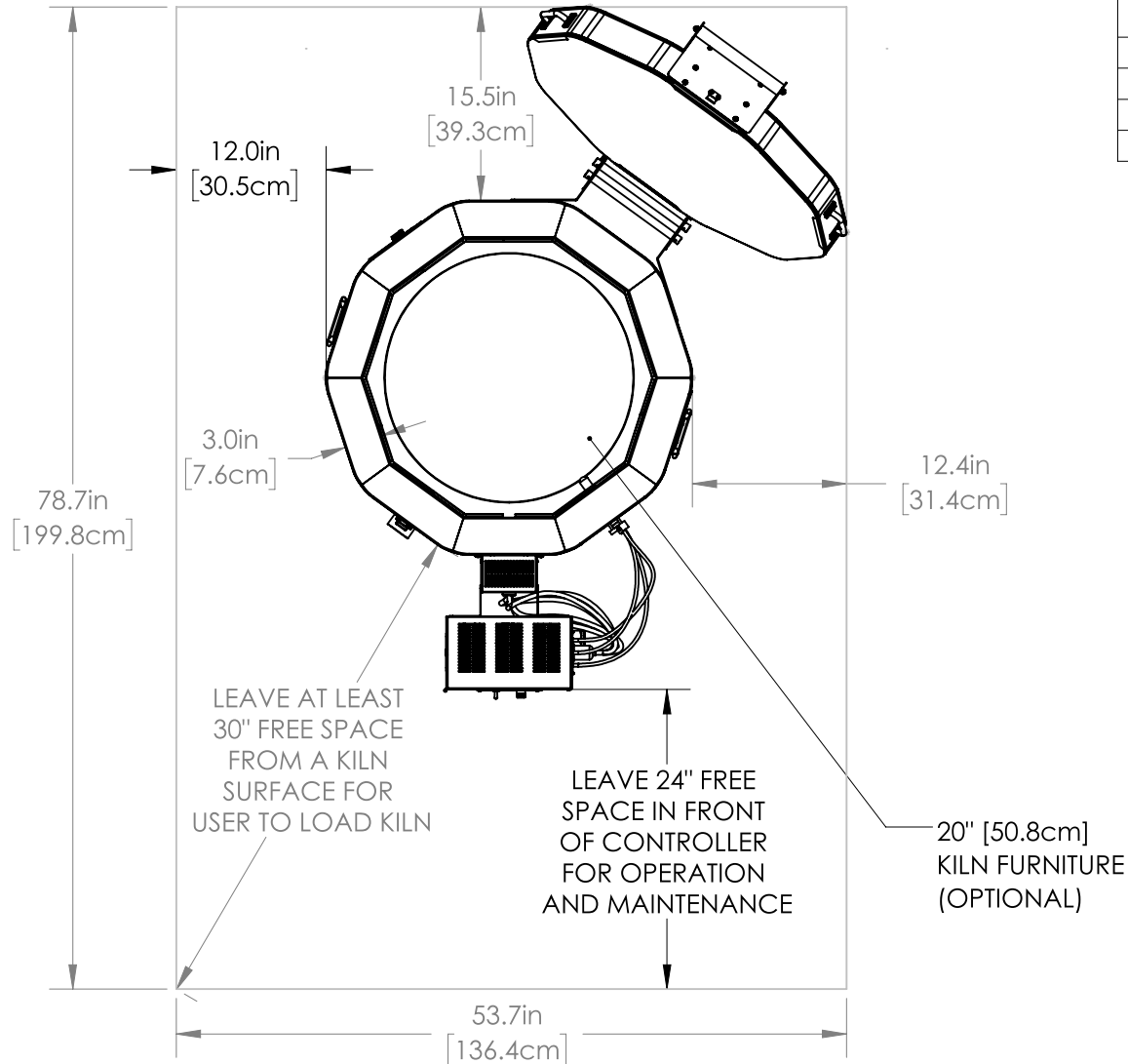


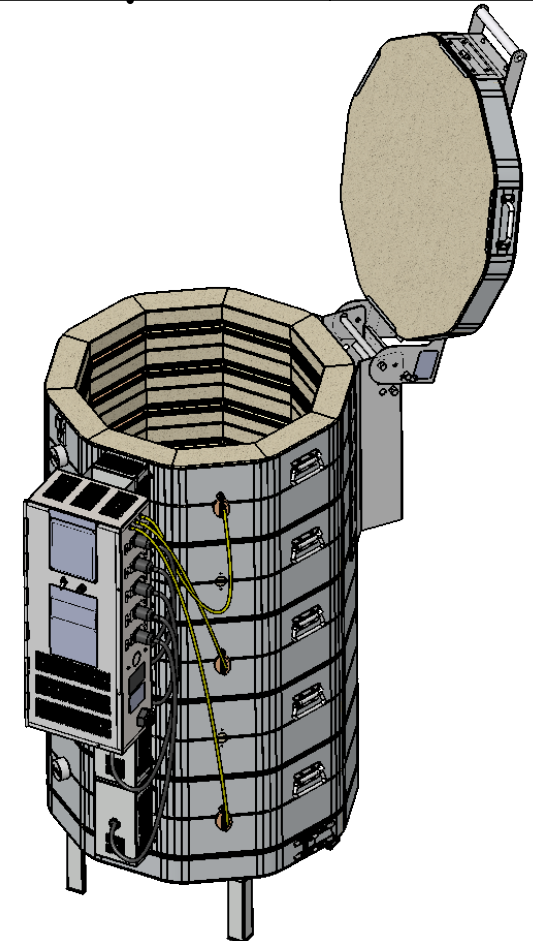
1. WALL/KILN SPACING: 12" [30.5cm] SPACING BETWEEN SIDES OF KILN AND WALLS OR OTHER OBJECTS. 18" [45.7cm] IS RECOMMENDED. LEAVE AT LEAST 18" [45.7cm] BETWEEN TWO KILNS.
2. AMBIENT VENTILATION: SEE CHART TO RIGHT FOR RATINGS. TO CALCULATE REQUIREMENTS, SEE hotkilns.com/calculate-kiln-room-ventilation.
3. KILN VENTILATION: L&L VENT-SURE KILN VENT RECOMMENDED FOR SAFETY AND LONGER ELEMENT LIFE. OPTIONAL CONTROL ALLOWS VENT TO BE TURNED ON AND OFF WITH CONTROL.

4. OTHER INFO: REFER TO INSTALLATION INSTRUCTIONS AND CAUTIONS INSTRUCTIONS FOR OTHER REQUIREMENTS AND SAFETY INFORMATION. REFER TO WIRING DIAGRAM FOR ELECTRICAL HOOKUP INFORMATION.
5. MAX LOAD WEIGHT: SEE hotkilns.com/load-weight.
6. WEIGHT OF KILN : 445 LBS, 202 KG

BTUS/ KILOJOULES PER HOUR NEEDED TO BE VENTED WITH AMBIENT ROOM VENTILATION (THIS IS IN ADDITION TO KILN VENTING):			
AT TEMP F	BTUS	AT TEMP C	KILOJOULES
1800F	17185	980C	18131
2000F	20089	1095C	21195
2232F	23718	1222C	25024
2350F	25670	1285C	27083



THIS MODEL IS DIRECT WIRED. THERE IS NO POWER CORD.

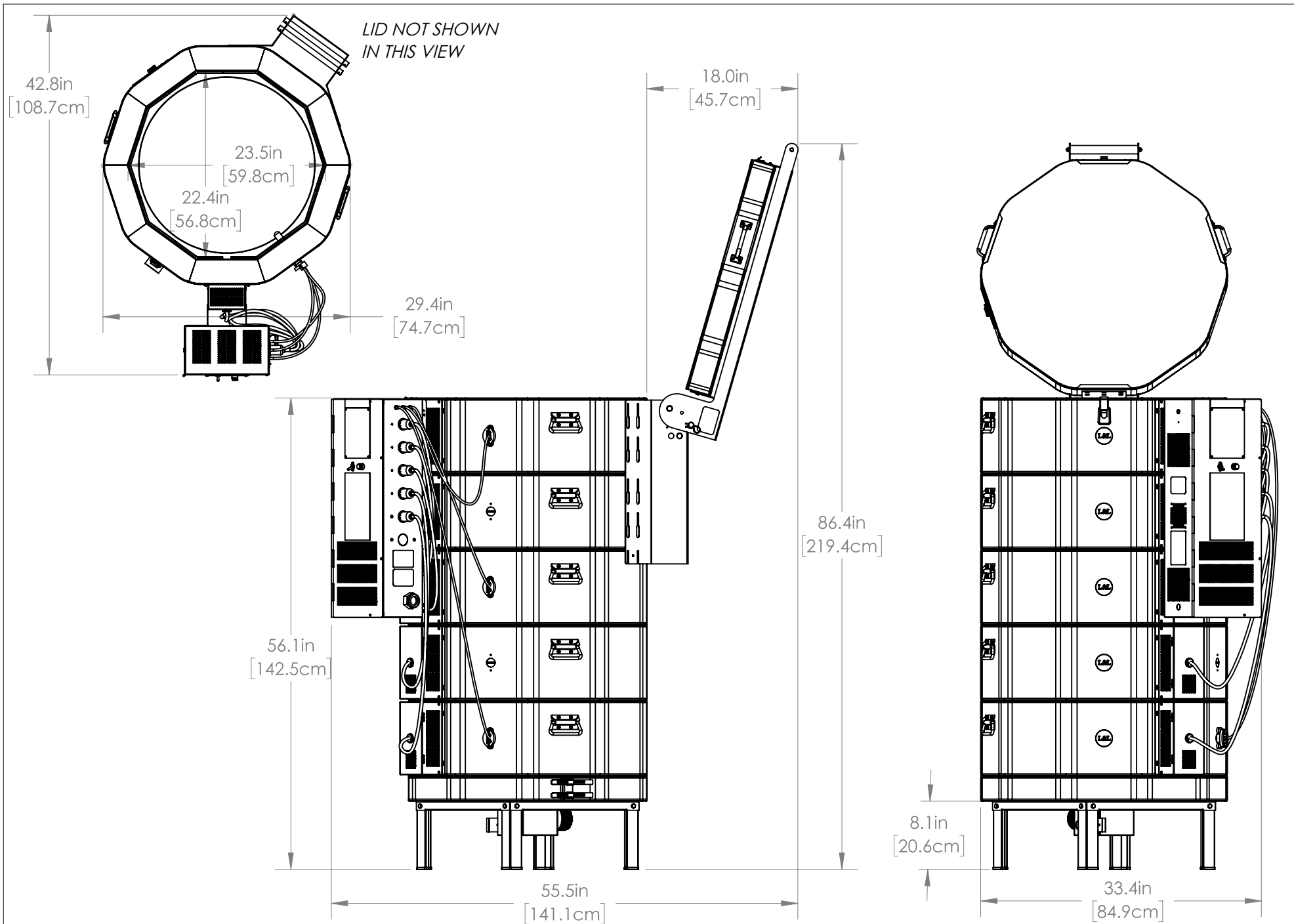


MADE FROM NEW
 DRAWN BY DSL
 DATE 02/01/20
 SCALE 1:15
 TITLE JD245V-3 (3" BRICK) GENERAL DIMENSIONS



505 SHARPTOWN RD
 SWEDESBORO NJ 08085
 PH: (856) 294-0077
 FAX: (856) 294-0070

REV 0
 SHEET OF 1/3
 DRAWING NO. 235-000-50-5



MADE FROM
NEW

DRAWN BY
DSL

DATE
02/01/20

SCALE
1:15

TITLE
JD245V-3 (3" BRICK) GENERAL DIMENSIONS



505 SHARPTOWN RD
SWEDESBORO NJ 08085
PH: (856) 294-0077
FAX: (856) 294-0070

REV
0

SHEET OF
2/3

DRAWING NO.
235-000-50-5

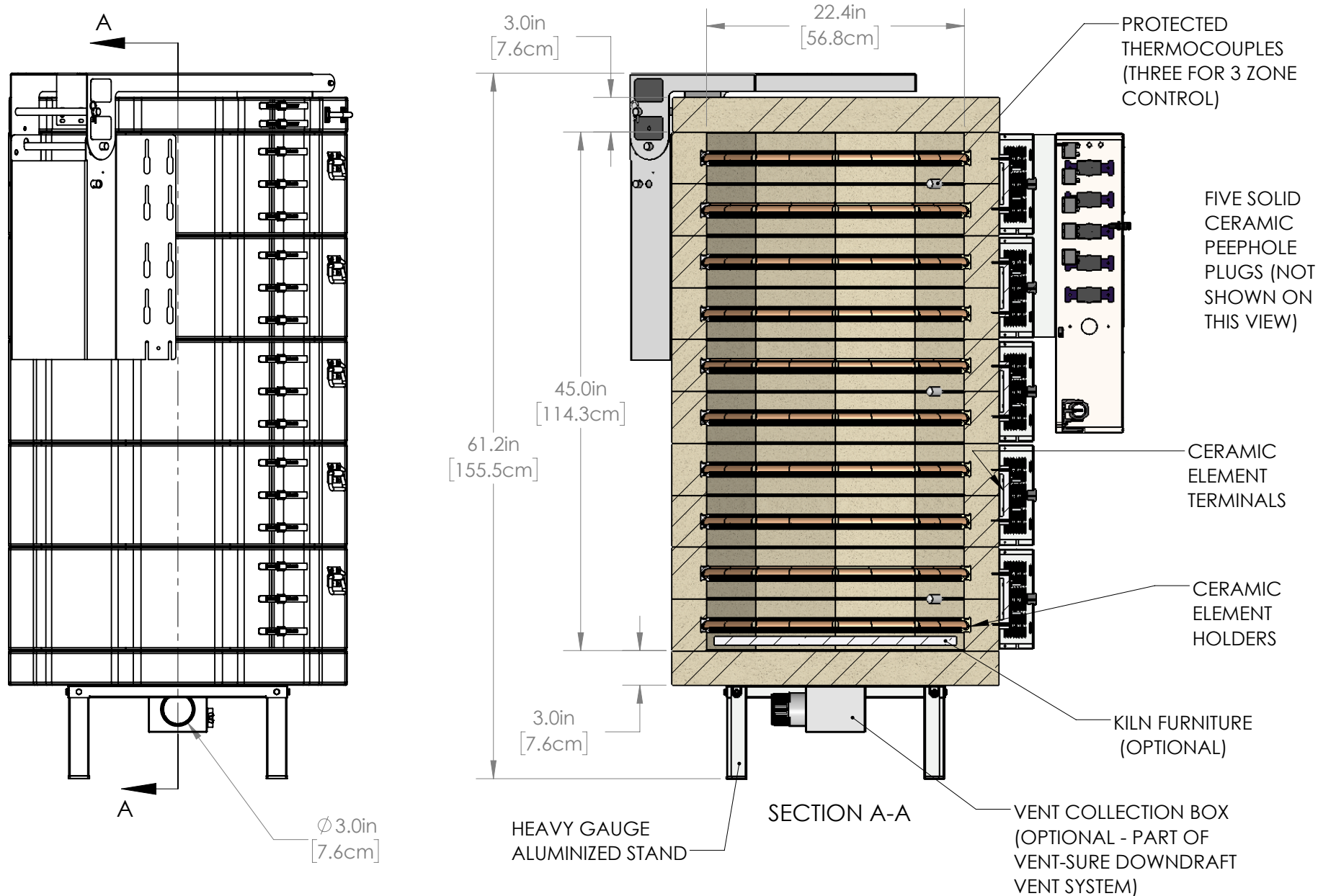
5

4

3

2

1



OPTIONAL FURNITURE KIT: (4) 20" [50.8cm] FULL ROUND SHELVES, (4) HALF ROUND SHELVES, SIX EACH 1/2", 1", 2", 4", 6" & 8" SQUARE POSTS

MADE FROM NEW	DRAWN BY DSL	DATE 02/01/20	SCALE 1:12	TITLE JD245V-3 (3" BRICK) GENERAL DIMENSIONS		<small>505 SHARPTOWN RD SWEDESBORO NJ 08085 PH: (856) 294-0077 FAX: (856) 294-0070</small>	REV 0	SHEET OF 3/3	DRAWING NO. 235-000-50-5
------------------	-----------------	------------------	---------------	---	---	--	----------	-----------------	-----------------------------

5

4

3

2

1