

**NOTES:**

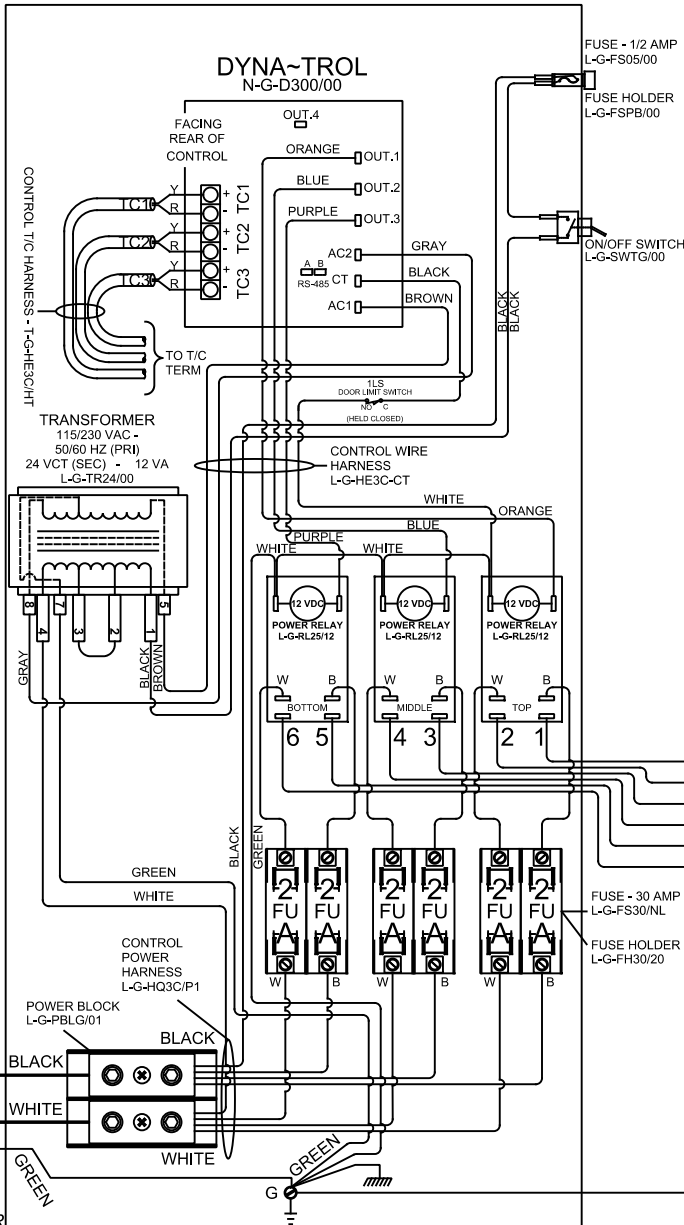
Control Wire:  
16 AWG, 105°C  
Power Wire:  
10 AWG, 150°C

Industrial & commercial applications may require the installation of a LOCKOUT/TAGOUT device to prevent the Kiln from operating during maintenance.

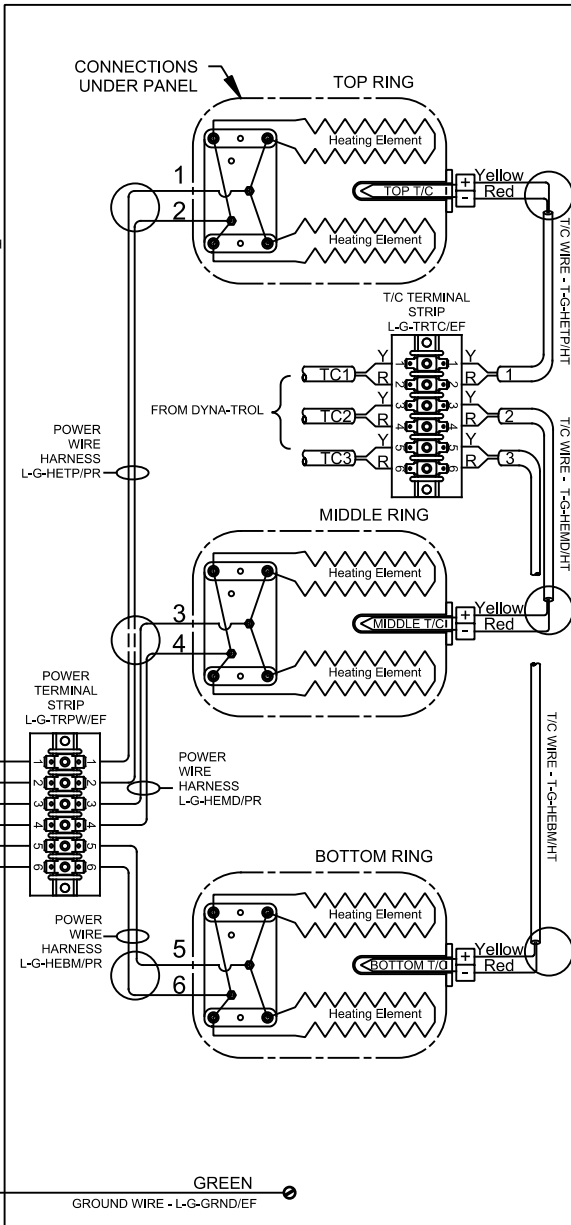
This Kiln is recommended to be wired & connected to an approved U. L. & NEC configured receptacle controlled with a disconnect switch and properly fused according to the KW load load specification listed on the Kiln Nameplate. L&L Kiln Mfg., Inc., also recommends fuses rather than circuit breakers to prevent nuisance tripping.



LOOKING INSIDE CONTROL PANEL



LOOKING AT OUTSIDE OF ELEMENT COVER PANEL



**SAFETY SWITCH BY CUSTOMER**  
Connect to  
240 Volt, 2 Wire, Single Phase - or  
220 Volt, 2 Wire, Single Phase - or  
208 Volt, 2 Wire, Single Phase  
50 or 60 Cycles.

| Model eFL2626 - 208 |                 |
|---------------------|-----------------|
| VOLTAGE             | 208 / 1 / 50-60 |
| WATTS               | 15,360          |
| FULL LOAD AMPS      | L1   L2   L3    |
|                     | 73.9   73.9   X |
| POWER SUPPLY        | FUSE   WIRE     |
|                     | 100A   1 AWG    |
| ELEMENTS            | QTY   OHMS      |
|                     | 6   16.3        |

| Model eFL2626 - 220 |                 |
|---------------------|-----------------|
| VOLTAGE             | 220 / 1 / 50-60 |
| WATTS               | 15,360          |
| FULL LOAD AMPS      | L1   L2   L3    |
|                     | 69.8   69.8   X |
| POWER SUPPLY        | FUSE   WIRE     |
|                     | 90A   2 AWG     |
| ELEMENTS            | QTY   OHMS      |
|                     | 6   18.2        |

| Model eFL2626 - 240 |                 |
|---------------------|-----------------|
| VOLTAGE             | 240 / 1 / 50-60 |
| WATTS               | 15,360          |
| FULL LOAD AMPS      | L1   L2   L3    |
|                     | 64.0   64.0   X |
| POWER SUPPLY        | FUSE   WIRE     |
|                     | 80A   3 AWG     |
| ELEMENTS            | QTY   OHMS      |
|                     | 6   21.7        |