

NOTES:

Control Wire:
16 AWG, 105°C
Power Wire:
10 AWG, 150°C

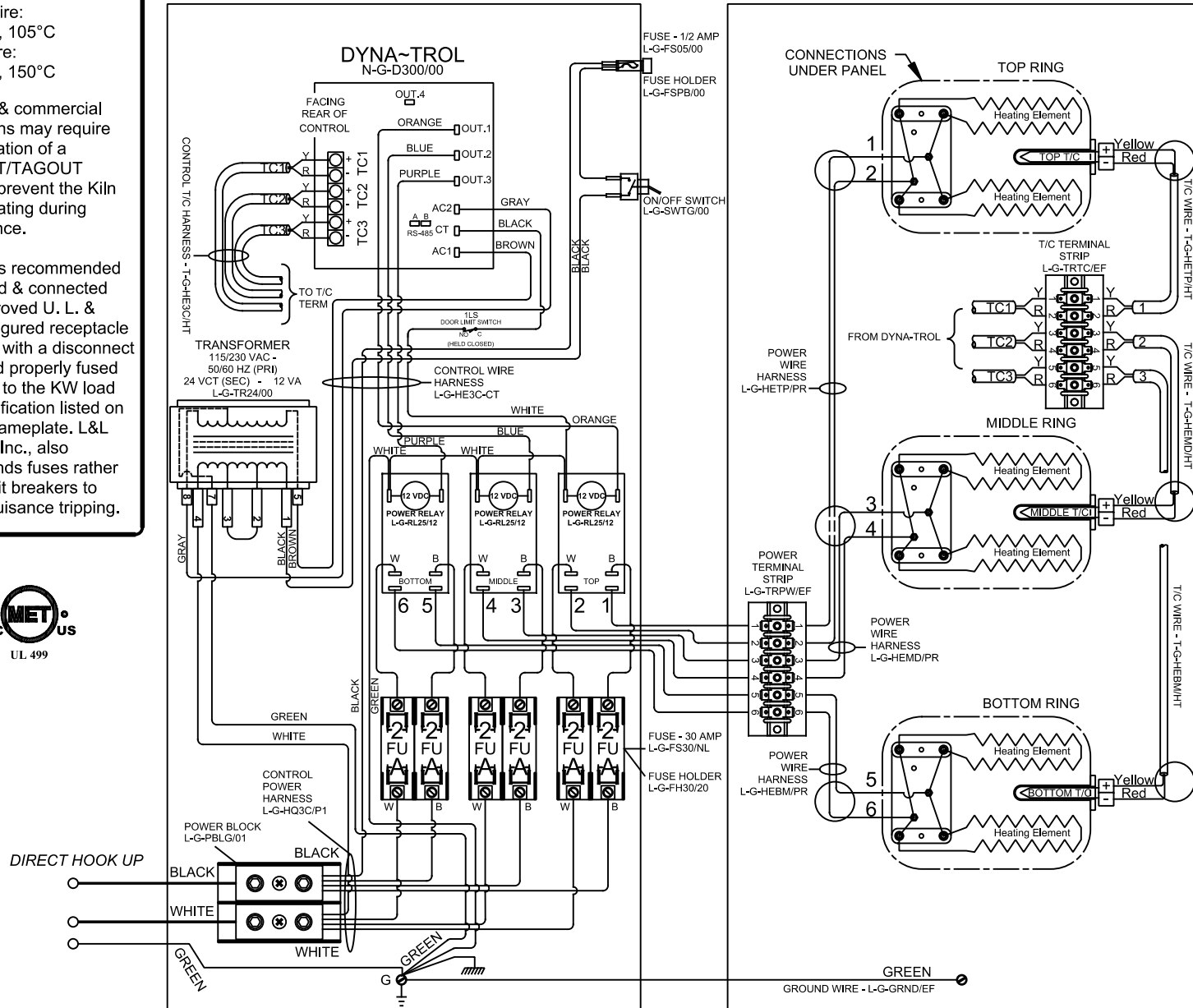
Industrial & commercial applications may require the installation of a LOCKOUT/TAGOUT device to prevent the Kiln from operating during maintenance.

This Kiln is recommended to be wired & connected to an approved U. L. & NEC configured receptacle controlled with a disconnect switch and properly fused according to the KW load load specification listed on the Kiln Nameplate. L&L Kiln Mfg., Inc., also recommends fuses rather than circuit breakers to prevent nuisance tripping.



LOOKING INSIDE CONTROL PANEL

LOOKING AT OUTSIDE OF ELEMENT COVER PANEL



Model eFL1626 - 220			
VOLTAGE	220 / 1 / 50-60		
WATTS	12,500		
FULL LOAD AMPS	L1	L2	L3
	56.8	56.8	
POWER SUPPLY	FUSE	WIRE	
	80A	3 AWG	
ELEMENTS	QTY	OHMS	
	6	22.4	

SAFETY SWITCH BY CUSTOMER
Connect to
220 Volt, 2 Wire, Single Phase
50 or 60 Cycles.

REV. #	DATE	REVISION DESCRIPTION

DRAWING NO. E381-400	SHEET OF 1/1	REV 0	L&L Kilns hotkilns.com	505 SHARPTOWN RD. SWEDESBORO, NJ 08095 PHONE: (856) 294-0077 FAX: (856) 294-0070	TITLE MODEL eFL 1626 - 220 1 PHASE WIRING DIAGRAM	SCALE 1 = 8	DATE 8/1/2022	DRAWN BY SJL	FILE NAME	MADE FROM K381-154
-------------------------	-----------------	----------	--------------------------------------	---	---	----------------	------------------	-----------------	-----------	-----------------------