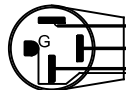


NOTES:

Control Wire:
16 AWG, 105°C
Power Wire:
10 AWG, 150°C

Industrial & commercial applications may require the installation of a LOCKOUT/TAGOUT device to prevent the Kiln from operating during maintenance.

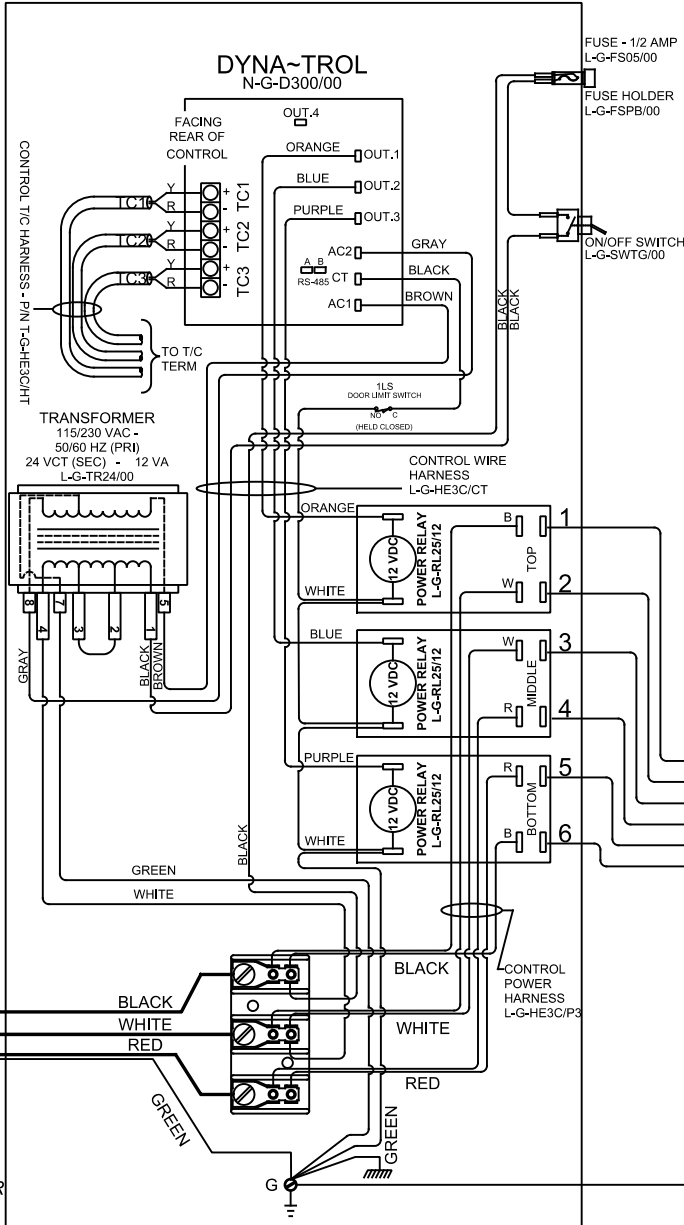
This Kiln is recommended to be wired & connected to an approved U. L. & NEC configured receptacle controlled with a disconnect switch and properly fused according to the KW load load specification listed on the Kiln Nameplate. L&L Kiln Mfg., Inc., also recommends fuses rather than circuit breakers to prevent nuisance tripping.



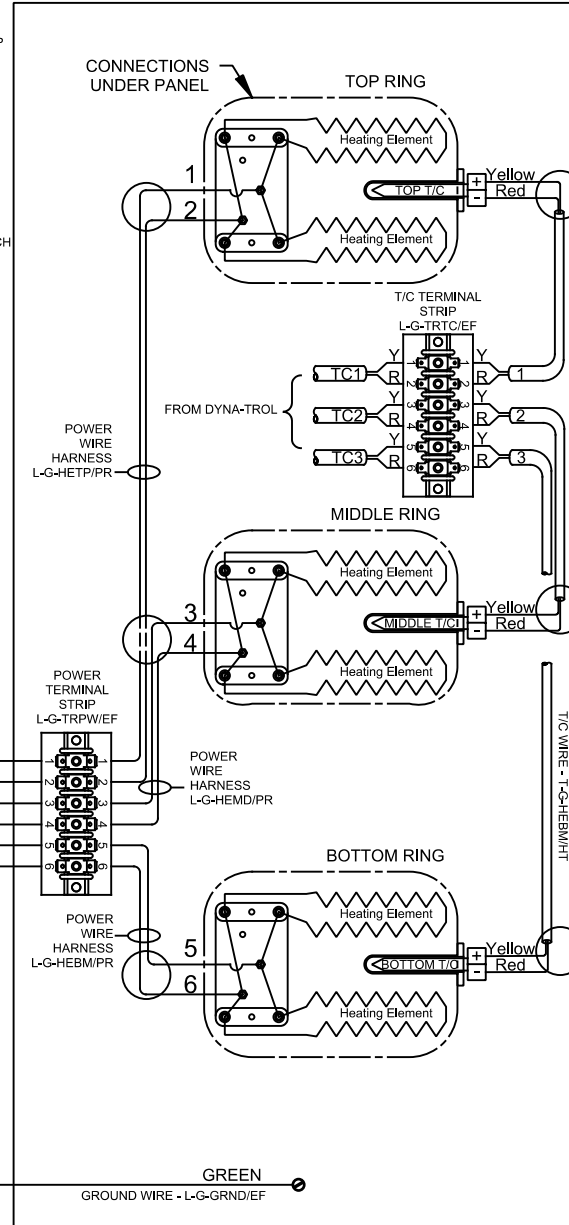
PLUG
208/240 VAC 3Ø
NEMA 15-50P
L-G-PC50/3P

SAFETY SWITCH BY CUSTOMER
Connect to
240 Volt, 3 Wire, Three Phase - or
220 Volt, 3 Wire, Three Phase - or
208 Volt, 3 Wire, Three Phase
DELTA
50 or 60 Cycles.

LOOKING INSIDE CONTROL PANEL



LOOKING AT OUTSIDE OF ELEMENT COVER PANEL



Model eFL1626 - 208	
VOLTAGE	208 / 3 / 50-60
WATTS	12,500
FULL LOAD AMPS	L1 L2 L3 34.7 34.7 34.7
POWER SUPPLY	FUSE WIRE 50A 6 AWG
ELEMENTS	QTY OHMS 6 20.0

Model eFL1626 - 220	
VOLTAGE	220 / 3 / 50-60
WATTS	12,500
FULL LOAD AMPS	L1 L2 L3 32.8 32.8 32.8
POWER SUPPLY	FUSE WIRE 50A 6 AWG
ELEMENTS	QTY OHMS 6 22.4

Model eFL1626 - 240	
VOLTAGE	240 / 3 / 50-60
WATTS	12,500
FULL LOAD AMPS	L1 L2 L3 30.1 30.1 30.1
POWER SUPPLY	FUSE WIRE 40A 6 AWG
ELEMENTS	QTY OHMS 6 26.6

0	DATE	REVISION DESCRIPTION