

NOTES:

Control Wire:
16 AWG, 105°C
Power Wire:
10 AWG, 150°C

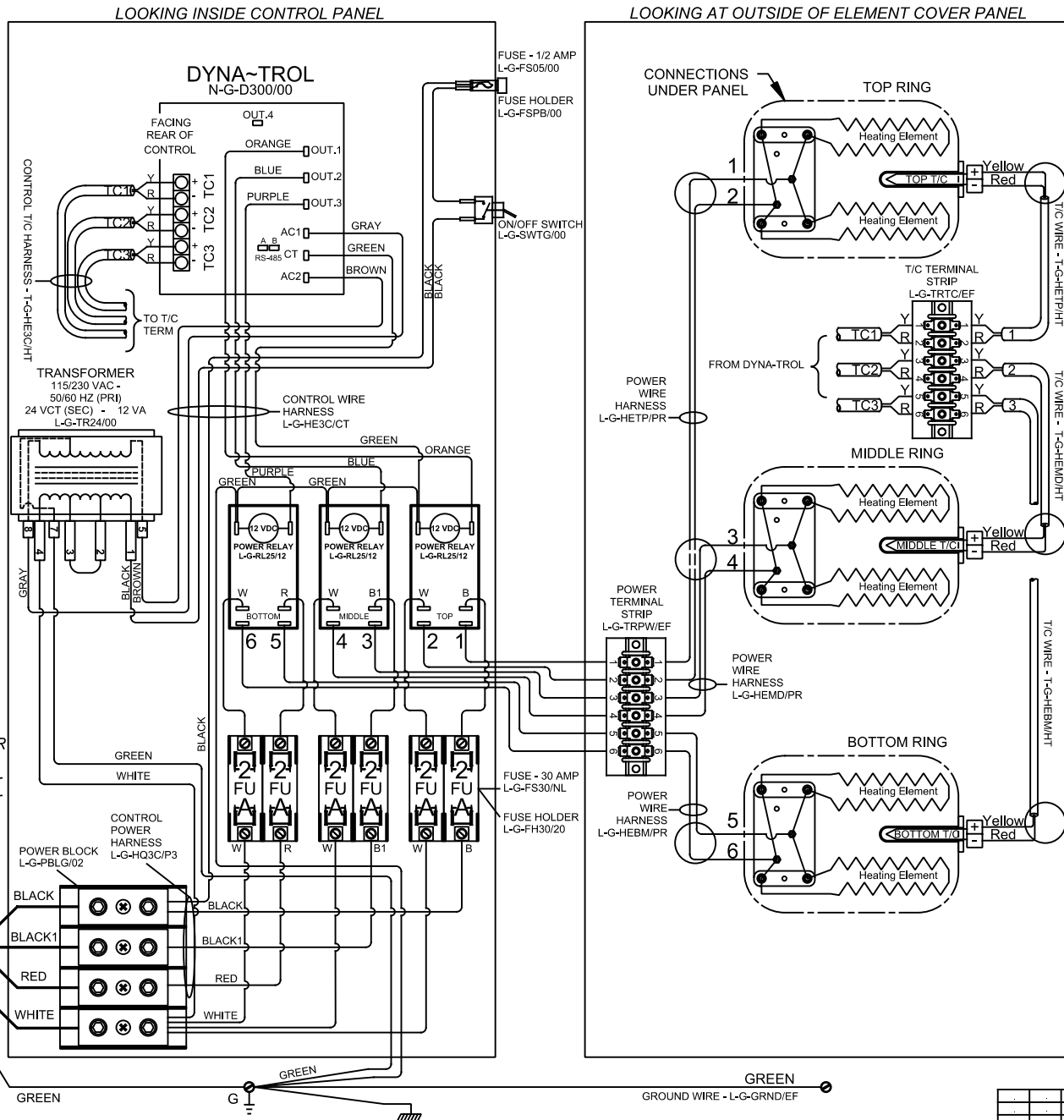
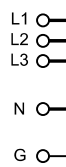
Industrial & commercial applications may require the installation of a LOCKOUT/TAGOUT device to prevent the Kiln from operating during maintenance.

This Kiln is recommended to be wired & connected to an approved U. L. & NEC configured receptacle controlled with a disconnect switch and properly fused according to the KW load load specification listed on the Kiln Nameplate. L&L Kiln Mfg., Inc., also recommends fuses rather than circuit breakers to prevent nuisance tripping.



SAFETY SWITCH BY CUSTOMER
Connect to
380 Volt, 4 Wire, Single Phase - or
400 Volt, 4 Wire, Single Phase - or
415 Volt, 4 Wire, Single Phase
50 or 60 Cycles.

DIRECT HOOK UP



Model eQ2327-380-3PY

VOLTAGE	380 / 3-Y / 50-60		
WATTS	12,321		
FULL LOAD AMPS	L1	L2	L3
	18.7	18.7	18.7
POWER SUPPLY	FUSE	WIRE	
	30A	10 AWG	
ELEMENTS	QTY	OHMS	
	6	22.7	

Model eQ2327-400-3PY

VOLTAGE	400 / 3-Y / 50-60		
WATTS	13,466		
FULL LOAD AMPS	L1	L2	L3
	19.5	19.5	19.5
POWER SUPPLY	FUSE	WIRE	
	30A	10 AWG	
ELEMENTS	QTY	OHMS	
	6	22.7	

Model eQ2327-415-3PY

VOLTAGE	415 / 3-Y / 50-60		
WATTS	13,440		
FULL LOAD AMPS	L1	L2	L3
	18.7	18.7	18.7
POWER SUPPLY	FUSE	WIRE	
	30A	10 AWG	
ELEMENTS	QTY	OHMS	
	6	24.8	