

NOTES:

Control Wire:
16 AWG, 105°C
Power Wire:
10 AWG, 150°C

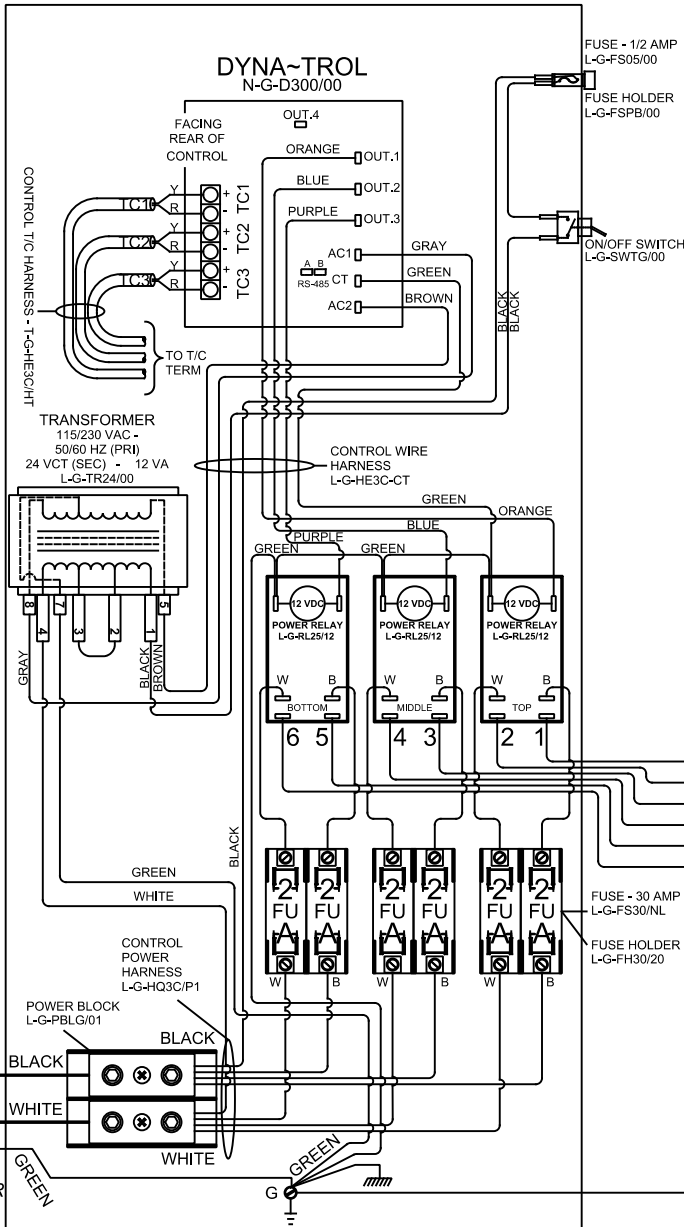
Industrial & commercial applications may require the installation of a LOCKOUT/TAGOUT device to prevent the Kiln from operating during maintenance.

This Kiln is recommended to be wired & connected to an approved U. L. & NEC configured receptacle controlled with a disconnect switch and properly fused according to the KW load load specification listed on the Kiln Nameplate. L&L Kiln Mfg., Inc., also recommends fuses rather than circuit breakers to prevent nuisance tripping.

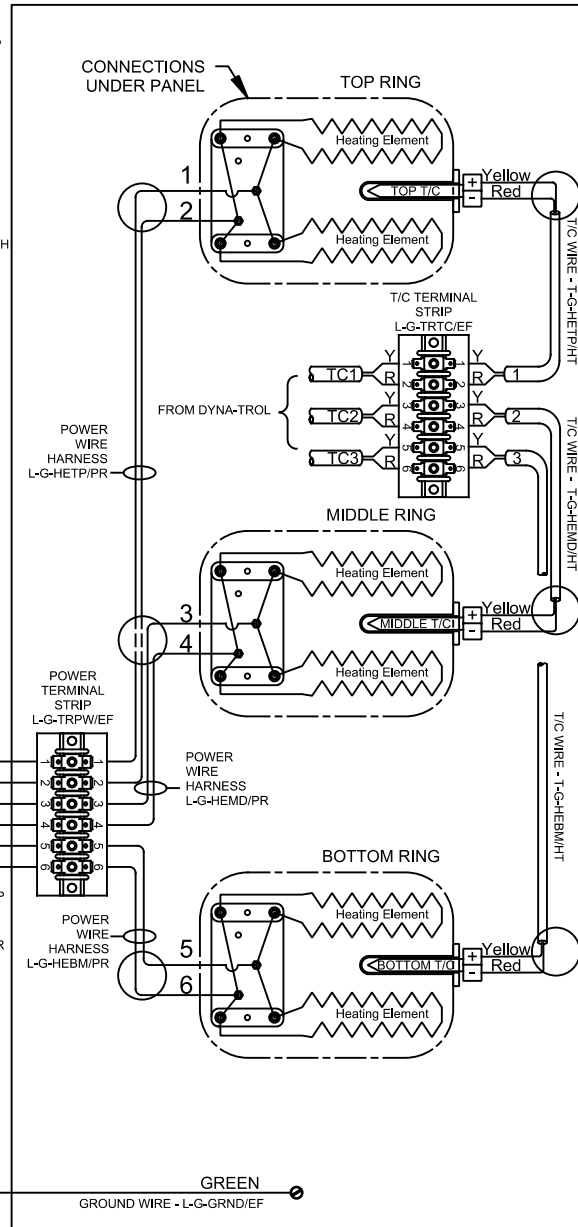


SAFETY SWITCH BY CUSTOMER
Connect to
240 Volt, 2 Wire, Single Phase - or
220 Volt, 2 Wire, Single Phase - or
208 Volt, 2 Wire, Single Phase
50 or 60 Cycles.

LOOKING INSIDE CONTROL PANEL



LOOKING AT OUTSIDE OF ELEMENT COVER PANEL



Model eQ2827-3

VOLTAGE	208 / 1 / 50-60		
WATTS	14,950		
FULL LOAD AMPS	L1	L2	L3
	71.9	71.9	∞
POWER SUPPLY	FUSE	WIRE	
	90A	2 AWG	
ELEMENTS (E-Q-2827/20)	QTY	OHMS	
	6	16.7	

Model eQ2827-3

VOLTAGE	220 / 1 / 50-60		
WATTS	14,950		
FULL LOAD AMPS	L1	L2	L3
	68.0	68.0	∞
POWER SUPPLY	FUSE	WIRE	
	90A	2 AWG	
ELEMENTS (E-Q-2827/40)	QTY	OHMS	
	6	18.7	

Model eQ2827-3

VOLTAGE	240 / 1 / 50-60		
WATTS	14,950		
FULL LOAD AMPS	L1	L2	L3
	62.3	62.3	∞
POWER SUPPLY	FUSE	WIRE	
	80A	3 AWG	
ELEMENTS (E-Q-2827/30)	QTY	OHMS	
	6	22.3	