

NOTES:

Control Wire:
16 AWG, 105°C
Power Wire:
10 AWG, 150°C

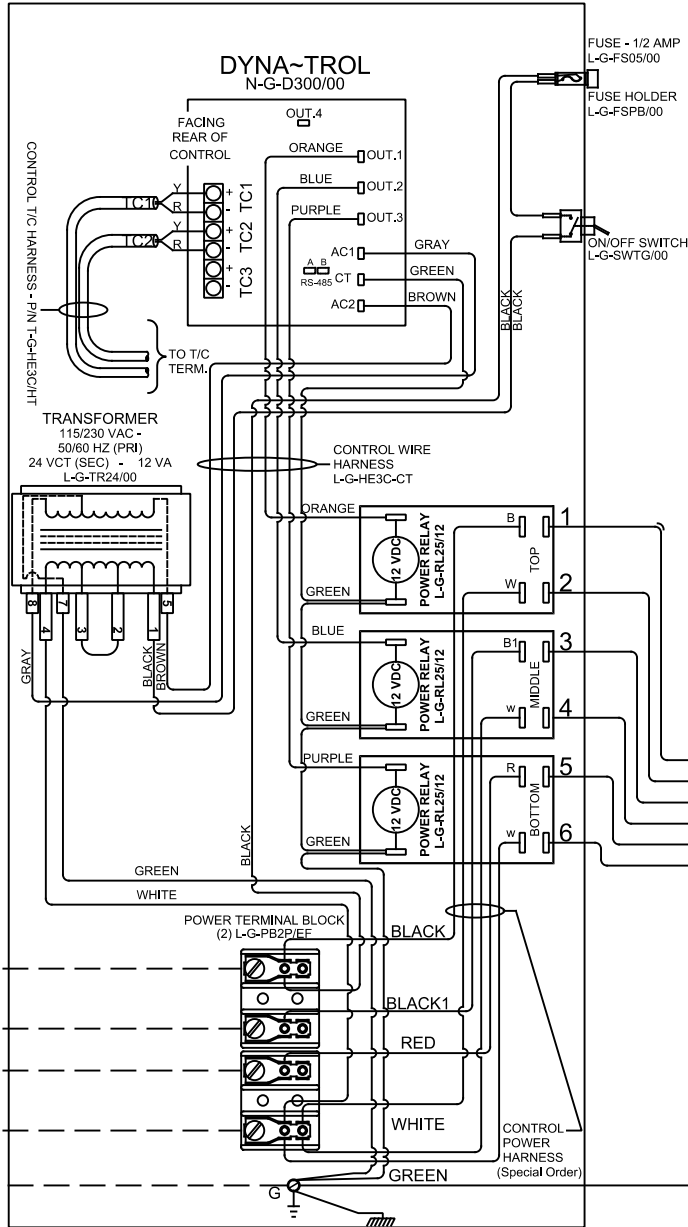
Industrial & commercial applications may require the installation of a LOCKOUT/TAGOUT device to prevent the Kiln from operating during maintenance.

This Kiln is recommended to be wired & connected to an approved U. L. & NEC configured receptacle controlled with a disconnect switch and properly fused according to the KW load load specification listed on the Kiln Nameplate. L&L Kiln Mfg., Inc., also recommends fuses rather than circuit breakers to prevent nuisance tripping.

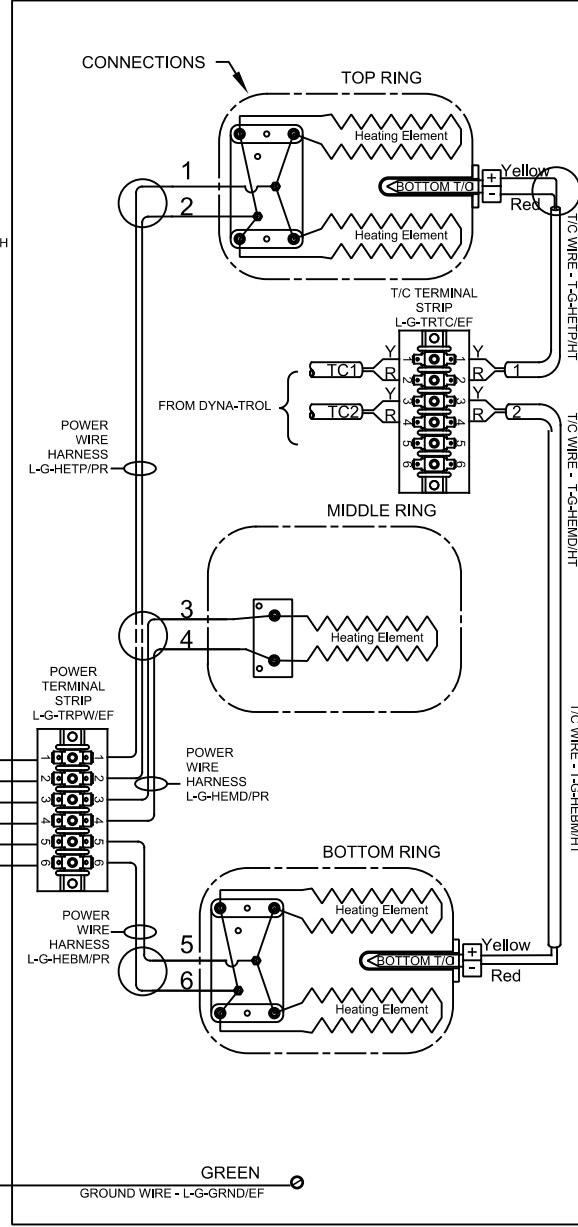


L1
L2
L3
N
G

LOOKING INSIDE CONTROL PANEL



LOOKING AT OUTSIDE OF ELEMENT COVER PANEL



Model e28M-380-3PY	
VOLTAGE	380 / 3-Y / 50-60
WATTS	13,850
FULL LOAD AMPS	L1 L2 L3 25.2 25.2 12.6
POWER SUPPLY	FUSE WIRE 40A 8 AWG
ELEMENTS	QTY OHMS 5 16.8

Model e28M-400-3PY	
VOLTAGE	400 / 3-Y / 50-60
WATTS	15728
FULL LOAD AMPS	L1 L2 L3 27.4 27.4 13.7
POWER SUPPLY	FUSE WIRE 40A 8 AWG
ELEMENTS	QTY OHMS 5 16.8

Model e28M-415-3PY	
VOLTAGE	415 / 3-Y / 50-60
WATTS	13,850
FULL LOAD AMPS	L1 L2 L3 23.1 23.1 11.5
POWER SUPPLY	FUSE WIRE 30A 10 AWG
ELEMENTS	QTY OHMS 5 20.0

SAFETY SWITCH BY CUSTOMER

Connect to
380V or 400V or 415V Volt, 4 Wire, 3 Phase Wye
50 or 60 Cycles.

A	01/2002		CHANGED TO TWO ZONE
REV. #	DATE		REVISION DESCRIPTION