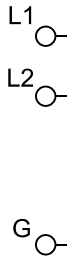


NOTES:

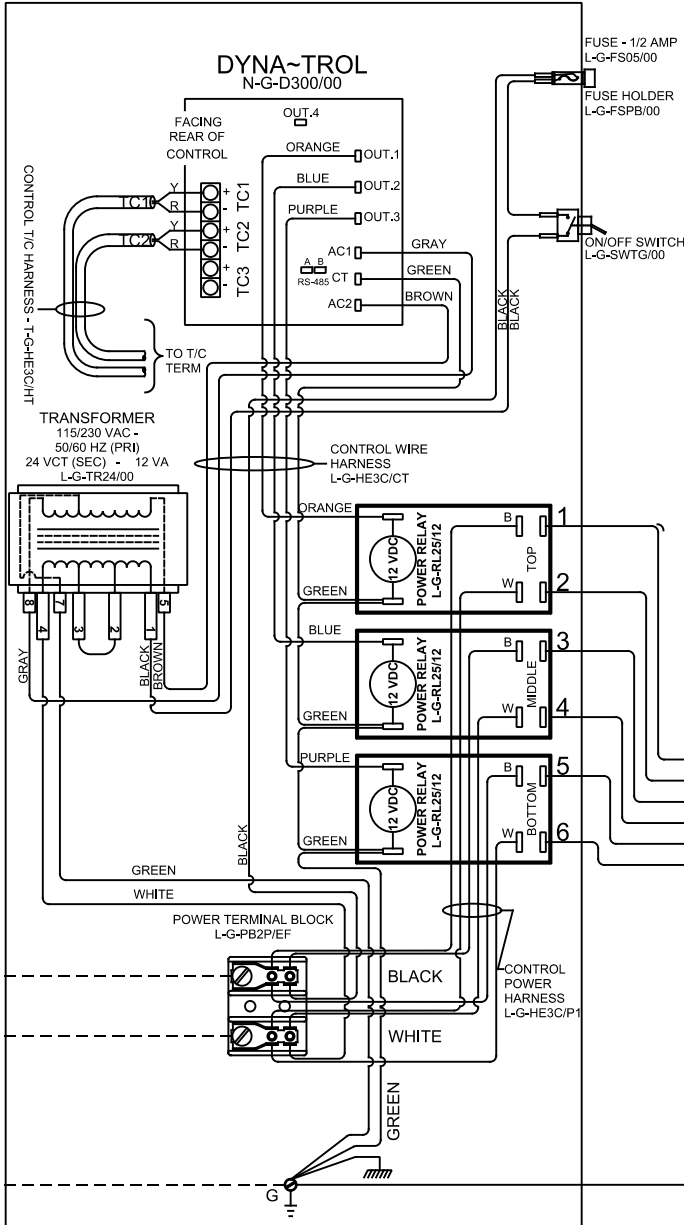
Control Wire:
16 AWG, 105°C
Power Wire:
10 AWG, 150°C

Industrial & commercial applications may require the installation of a LOCKOUT/TAGOUT device to prevent the Kiln from operating during maintenance.

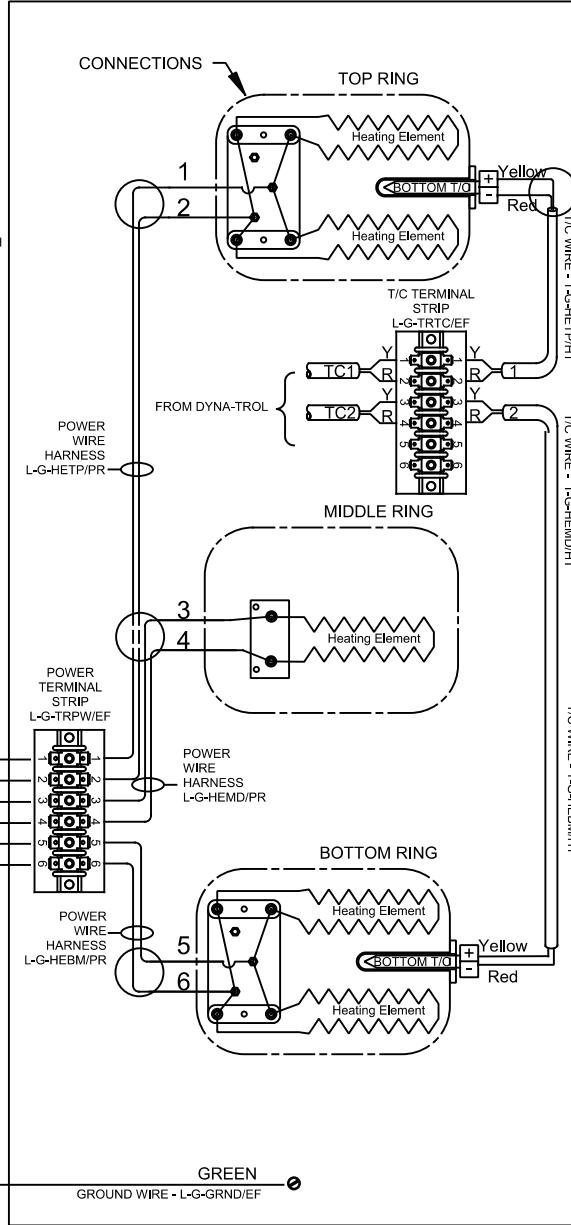
This Kiln is recommended to be wired & connected to an approved U. L. & NEC configured receptacle controlled with a disconnect switch and properly fused according to the KW load specification listed on the Kiln Nameplate. L&L Kiln Mfg., Inc., also recommends fuses rather than circuit breakers to prevent nuisance tripping.



LOOKING INSIDE CONTROL PANEL



LOOKING AT OUTSIDE OF ELEMENT COVER PANEL



Model e18M-220			
VOLTAGE	220 / 1 / 50-60		
WATTS	8,000		
FULL LOAD AMPS	L1	L2	L3
	36.4	36.4	
POWER SUPPLY	FUSE	WIRE	
	50A	6 AWG	
ELEMENTS E-E-18ML/41	QTY	OHMS	
	5	29.11	

SAFETY SWITCH BY CUSTOMER
Connect to
220 Volt, 2 Wire, Single Phase
50 or 60 Cycles.

REV. #	DATE	REVISION DESCRIPTION
A	10/08/2019	CHANGED TO TWO ZONE