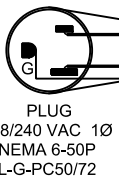


**NOTES:**

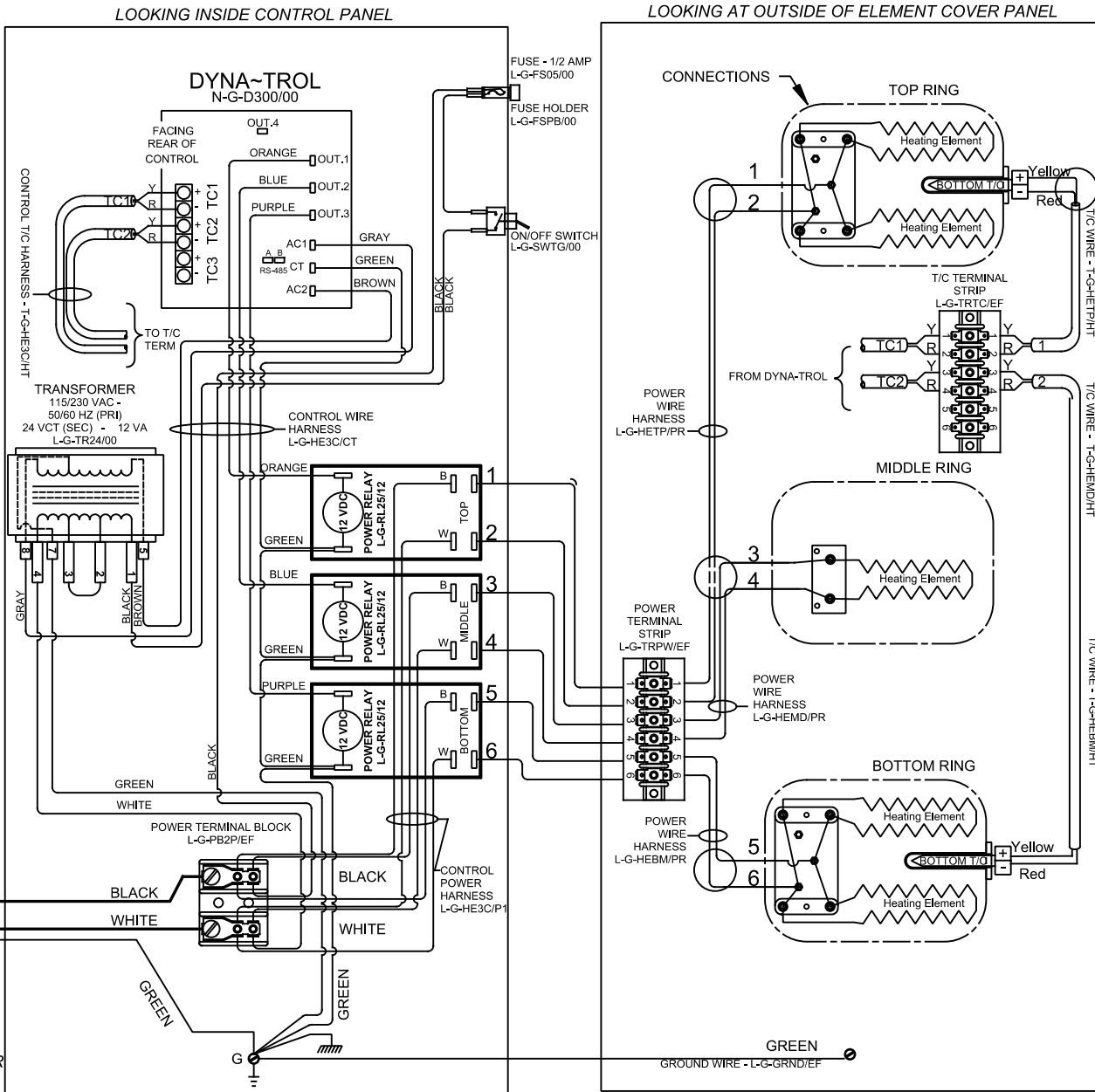
Control Wire:  
16 AWG, 105°C  
Power Wire:  
10 AWG, 150°C

Industrial & commercial applications may require the installation of a LOCKOUT/TAGOUT device to prevent the Kiln from operating during maintenance.

This Kiln is recommended to be wired & connected to an approved U. L. & NEC configured receptacle controlled with a disconnect switch and properly fused according to the KW load specification listed on the Kiln Nameplate. L&L Kiln Mfg., Inc., also recommends fuses rather than circuit breakers to prevent nuisance tripping.



**SAFETY SWITCH BY CUSTOMER**  
Connect to  
240 Volt, 2 Wire, Single Phase - or  
208 Volt, 2 Wire, Single Phase  
50 or 60 Cycles.



| Model e18M-208 |                             |
|----------------|-----------------------------|
| VOLTAGE        | 208 / 1 / 50-60             |
| WATTS          | 8,000                       |
| FULL LOAD AMPS | L1   L2   L3<br>38.5   38.5 |
| POWER SUPPLY   | FUSE   WIRE<br>50A   6AWG   |
| ELEMENTS       | QTY   OHMS<br>5   26.0      |

| Model e18M-240 |                             |
|----------------|-----------------------------|
| VOLTAGE        | 240 / 1 / 50-60             |
| WATTS          | 8,000                       |
| FULL LOAD AMPS | L1   L2   L3<br>33.3   33.3 |
| POWER SUPPLY   | FUSE   WIRE<br>50A   6 AWG  |
| ELEMENTS       | QTY   OHMS<br>5   34.65     |

|       |           |  |                      |
|-------|-----------|--|----------------------|
|       |           |  |                      |
| A     | 3/10/2022 |  | CHANGED TO TWO ZONE  |
| REV.# | DATE      |  | REVISION DESCRIPTION |