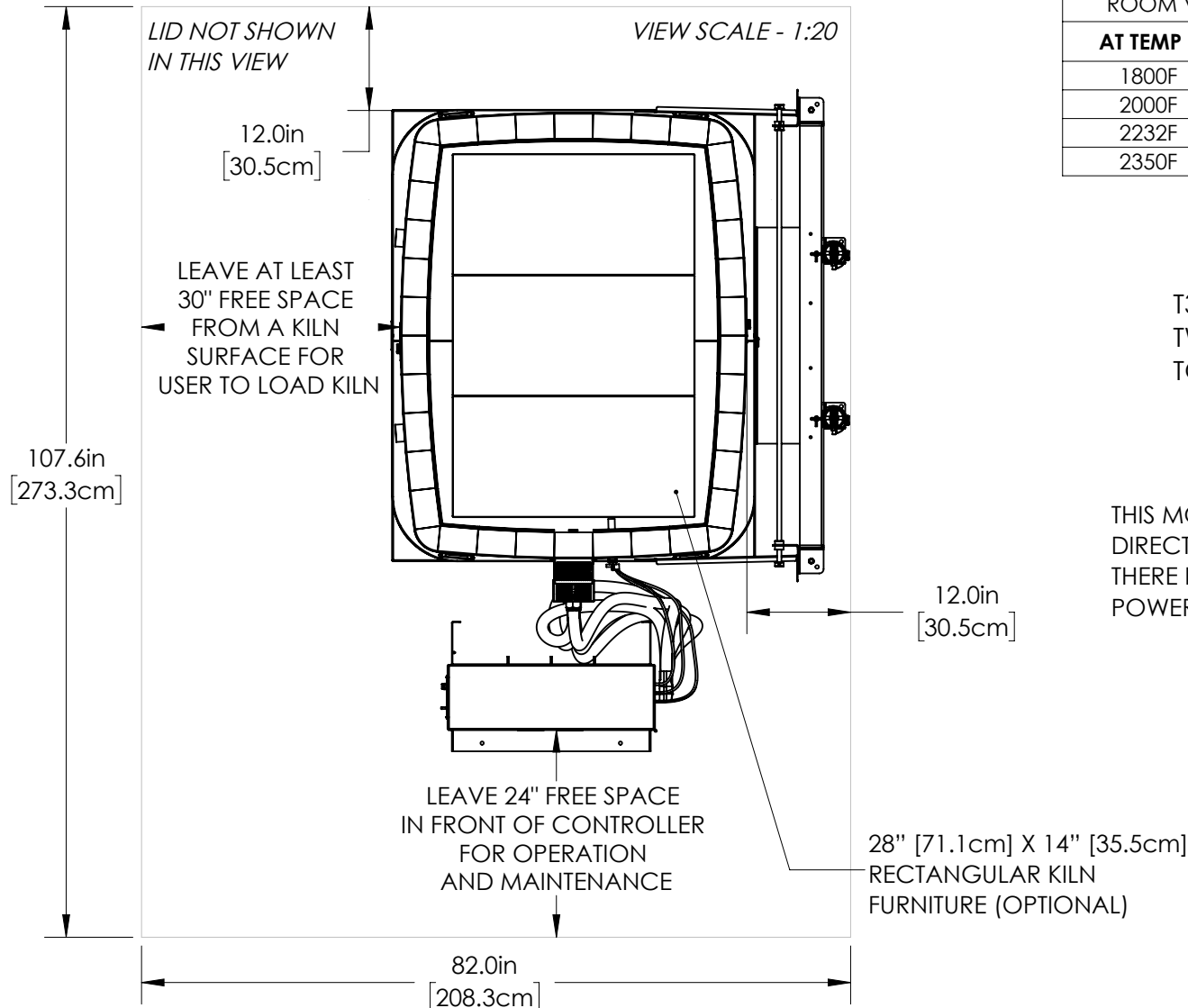


- WALL/KILN SPACING:** 12" [30.5cm] SPACING BETWEEN SIDES OF KILN AND WALLS OR OTHER OBJECTS. 18" [45.7cm] IS RECOMMENDED. LEAVE AT LEAST 18" [45.7cm] BETWEEN TWO KILNS.
- AMBIENT VENTILATION:** SEE CHART TO RIGHT FOR RATINGS. TO CALCULATE REQUIREMENTS, SEE [hotkilns.com/calculate-kiln-room-ventilation](http://hotkilns.com/calculate-kiln-room-ventilation).
- KILN VENTILATION:** L&L VENT-SURE KILN VENT RECOMMENDED FOR SAFETY AND LONGER ELEMENT LIFE. OPTIONAL CONTROL ALLOWS VENT TO BE TURNED ON AND OFF WITH CONTROL.

- OTHER INFO:** REFER TO INSTALLATION INSTRUCTIONS AND CAUTIONS INSTRUCTIONS FOR OTHER REQUIREMENTS AND SAFETY INFORMATION. REFER TO WIRING DIAGRAM FOR ELECTRICAL HOOKUP INFORMATION.
- MAX LOAD WEIGHT:** SEE [hotkilns.com/load-weight](http://hotkilns.com/load-weight).
- WEIGHT OF KILN:** 1305 LBS, 592 KG

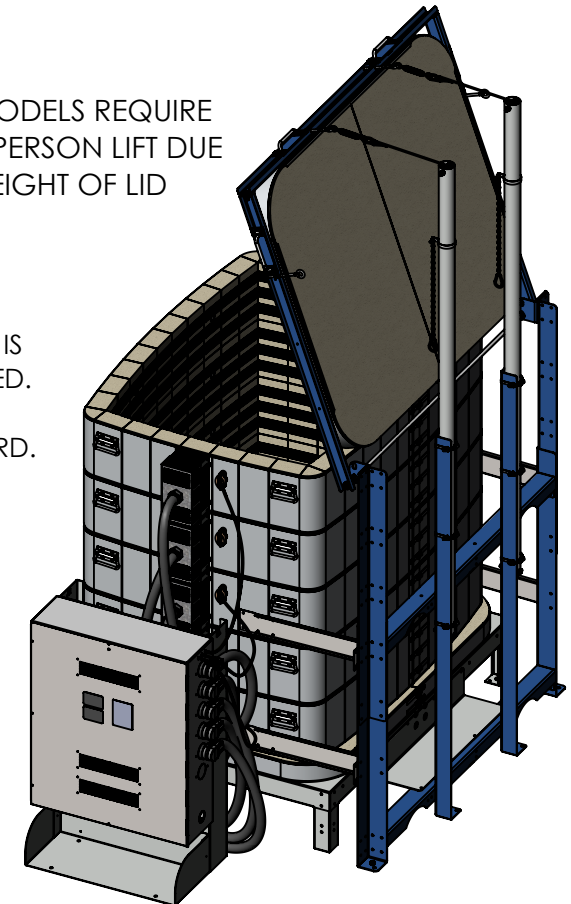
BTUS/ KILOJOULES PER HOUR NEEDED TO BE VENTED WITH AMBIENT ROOM VENTILATION (THIS IS IN ADDITION TO KILN VENTING):

AT TEMP F	BTUS	AT TEMP C	KILOJOULES
1800F	39143	980C	41298
2000F	45759	1095C	48279
2232F	54029	1222C	57004
2350F	58477	1285C	61697

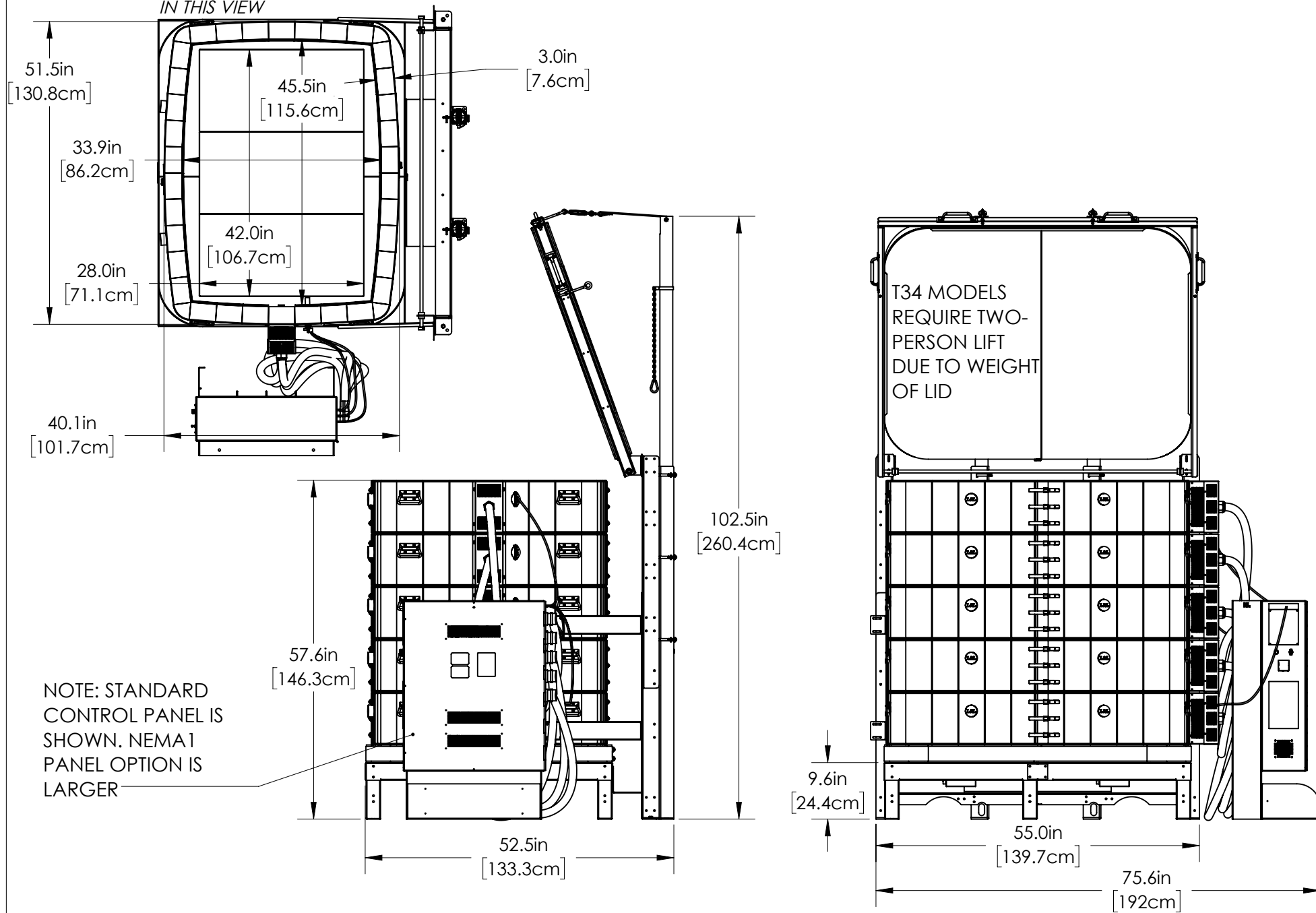


T34 MODELS REQUIRE TWO-PERSON LIFT DUE TO WEIGHT OF LID

THIS MODEL IS DIRECT WIRED. THERE IS NO POWER CORD.



LID NOT SHOWN  
IN THIS VIEW



MADE FROM  
NEW

DRAWN BY  
SJL

DATE  
04/15/20

SCALE  
1:22

TITLE  
T3445-D (3" BRICK) DAVINCI GENERAL DIMENSIONS

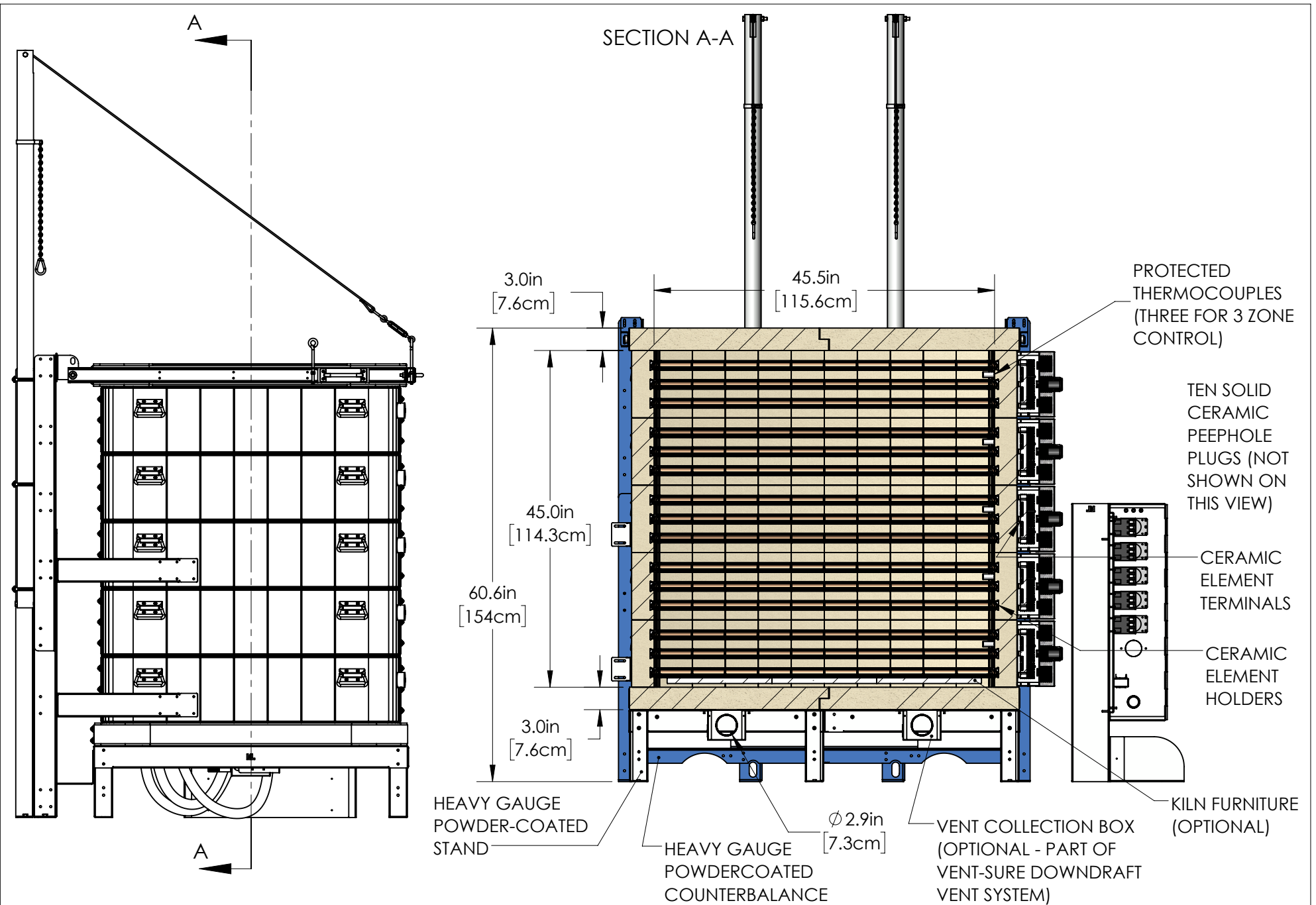
**LKilns**  
hotkilns.com

505 SHARPTOWN RD  
SWEDESBORO NJ 08085  
PH: (856) 294-0077  
FAX: (856) 294-0070

REV  
0

SHEET OF  
2/3

DRAWING NO.  
300-000-60-5



OPTIONAL FURNITURE KIT: (15) 28" [71.1cm] X 14" [35.5cm] RECTANGULAR SHELVES, (18) EACH 1/2", 1", 2", 4", 6" & 8" SQUARE POSTS

MADE FROM NEW	DRAWN BY SJL	DATE 04/15/20	SCALE 1:17	TITLE T3445-D (3" BRICK) DAVINCI GENERAL DIMENSIONS		<small>505 SHARPTOWN RD SWEDESBORO NJ 08085 PH: (856) 294-0077 FAX: (856) 294-0070</small>	REV 0	SHEET OF 3/3	DRAWING NO. 300-000-60-5
------------------	-----------------	------------------	---------------	--	---	--	----------	-----------------	-----------------------------