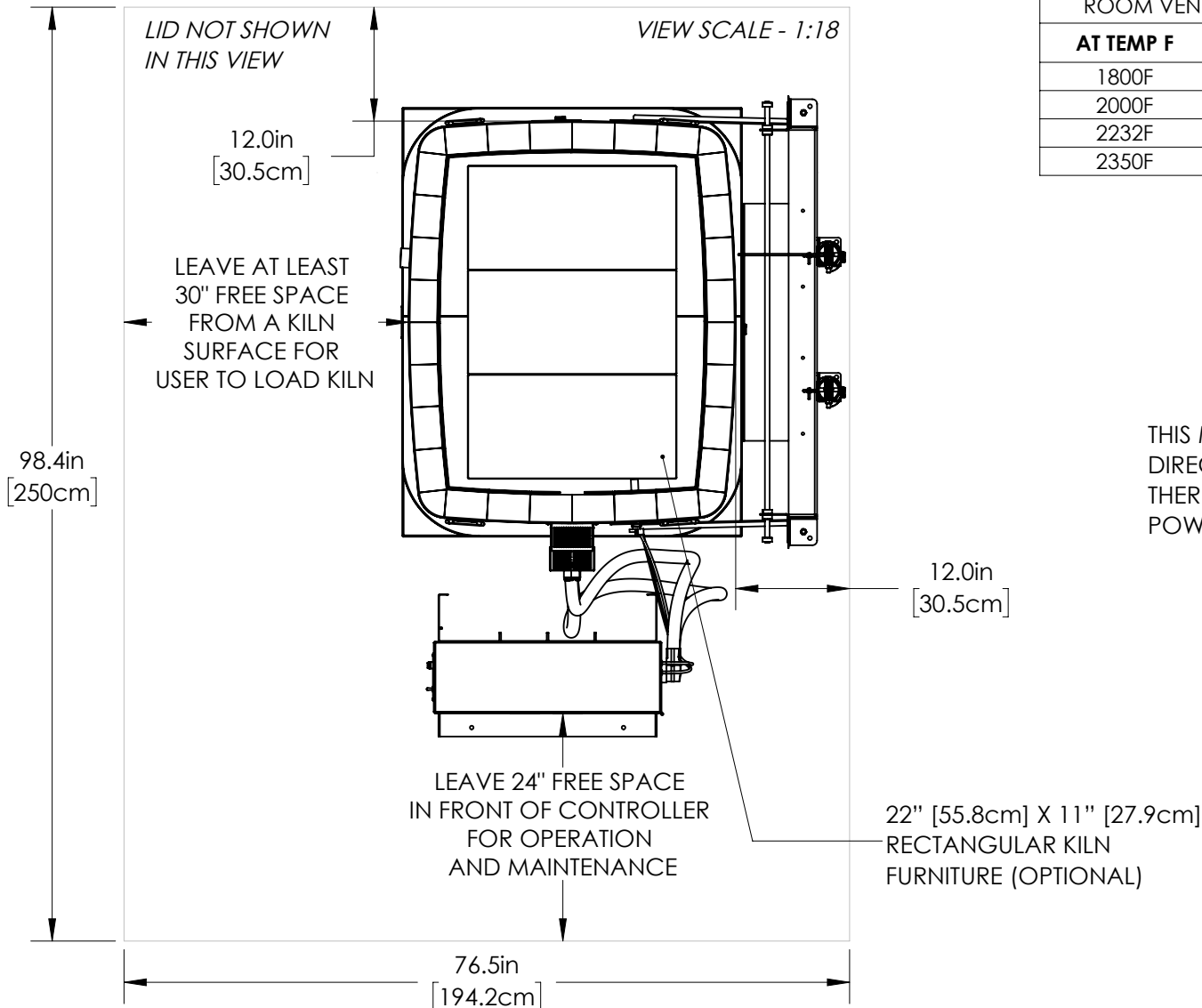


- WALL/KILN SPACING:** 12" [30.5cm] SPACING BETWEEN SIDES OF KILN AND WALLS OR OTHER OBJECTS. 18" [45.7cm] IS RECOMMENDED. LEAVE AT LEAST 18" [45.7cm] BETWEEN TWO KILNS.
- AMBIENT VENTILATION:** SEE CHART TO RIGHT FOR RATINGS. TO CALCULATE REQUIREMENTS, SEE hotkilns.com/calculate-kiln-room-ventilation.
- KILN VENTILATION:** L&L VENT-SURE KILN VENT RECOMMENDED FOR SAFETY AND LONGER ELEMENT LIFE. OPTIONAL CONTROL ALLOWS VENT TO BE TURNED ON AND OFF WITH CONTROL.

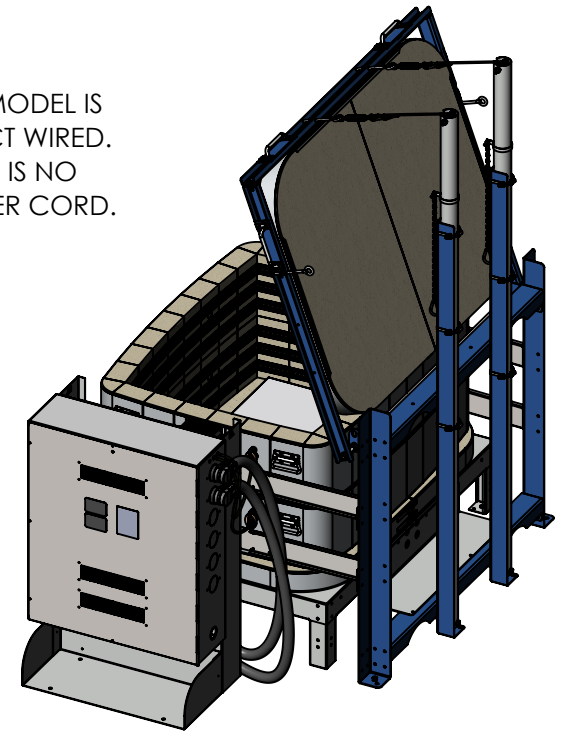
- OTHER INFO:** REFER TO INSTALLATION INSTRUCTIONS AND CAUTIONS INSTRUCTIONS FOR OTHER REQUIREMENTS AND SAFETY INFORMATION. REFER TO WIRING DIAGRAM FOR ELECTRICAL HOOKUP INFORMATION.
- MAX LOAD WEIGHT:** SEE hotkilns.com/load-weight.
- WEIGHT OF KILN:** 755 LBS, 342 KG

BTUS/ KILOJOULES PER HOUR NEEDED TO BE VENTED WITH AMBIENT ROOM VENTILATION (THIS IS IN ADDITION TO KILN VENTING):

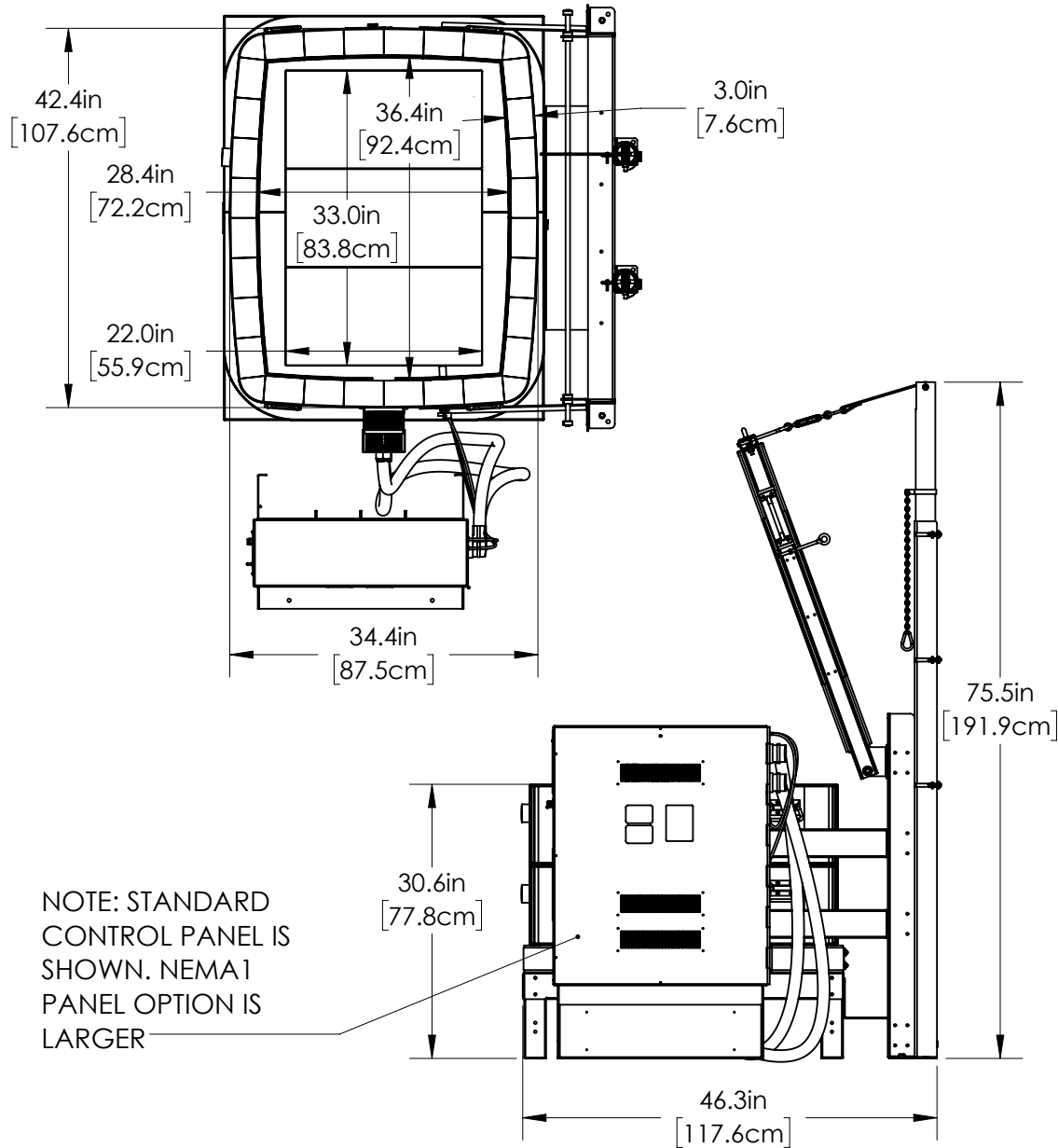
AT TEMP F	BTUS	AT TEMP C	KILOJOULES
1800F	16974	980C	17909
2000F	19845	1095C	20938
2232F	23434	1222C	24725
2350F	25365	1285C	26761



THIS MODEL IS DIRECT WIRED. THERE IS NO POWER CORD.

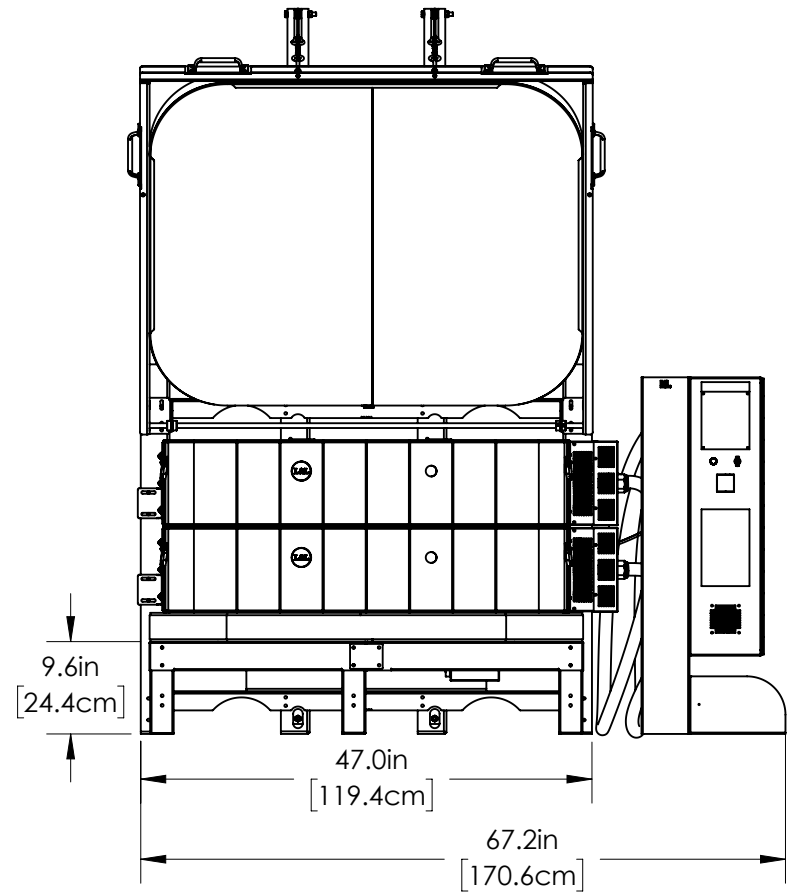


LID NOT SHOWN
IN THIS VIEW



NOTE: STANDARD
CONTROL PANEL IS
SHOWN. NEMA 1
PANEL OPTION IS
LARGER

EXPANDABILITY: THIS MODEL CAN BE EXPANDED
TO A T2327 BY ADDING ONE SECTION AND
ADDING CORRESPONDING CIRCUITS IN THE
CONTROL PANEL.



MADE FROM
NEW

DRAWN BY
S JL

DATE
04/15/20

SCALE
1:20

TITLE
TB2318-D (3" BRICK) DAVINCI GENERAL DIMENSIONS

LKilns
hotkilns.com

505 SHARPTOWN RD
SWEDESBORO NJ 08085
PH: (856) 294-0077
FAX: (856) 294-0070

REV
0

SHEET OF
2/3

DRAWING NO.
300-000-50-2

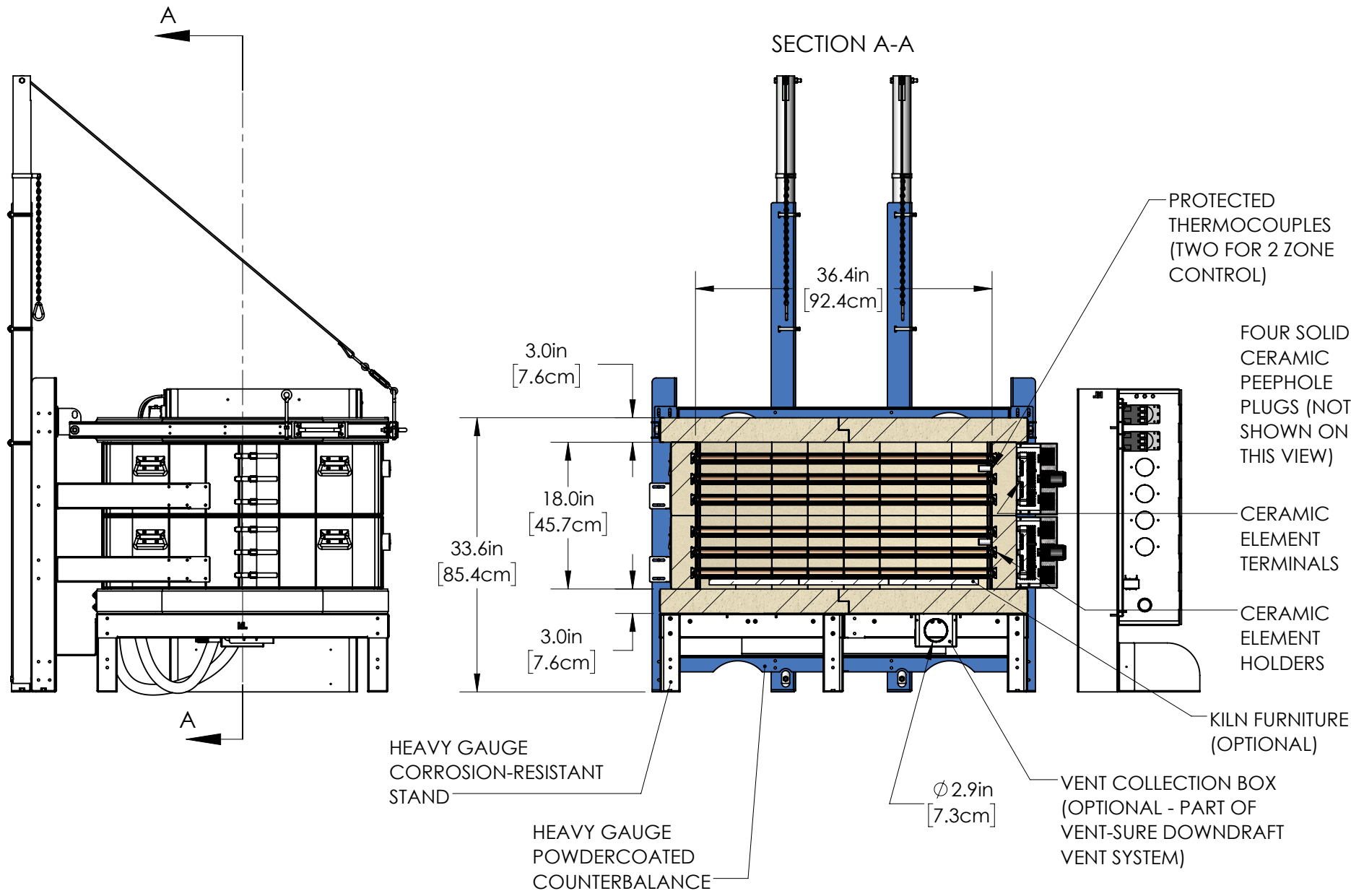
5

4

3

2

1



OPTIONAL FURNITURE KIT: (6) 22" [55.8cm] X 11" [27.9cm] RECTANGULAR SHELVES, (6) EACH 1/2", 1", 2", 4", 6" & 8" SQUARE POSTS

MADE FROM NEW	DRAWN BY SJL	DATE 04/15/20	SCALE 1:17	TITLE TB2318-D (3" BRICK) DAVINCI GENERAL DIMENSIONS	LKilns hotkilns.com	505 SHARPTOWN RD SWEDESBORO NJ 08085 PH: (856) 294-0077 FAX: (856) 294-0070	REV 0	SHEET OF 3/3	DRAWING NO. 300-000-50-2
------------------	-----------------	------------------	---------------	---	-------------------------------	--	-----------------	-----------------	-----------------------------