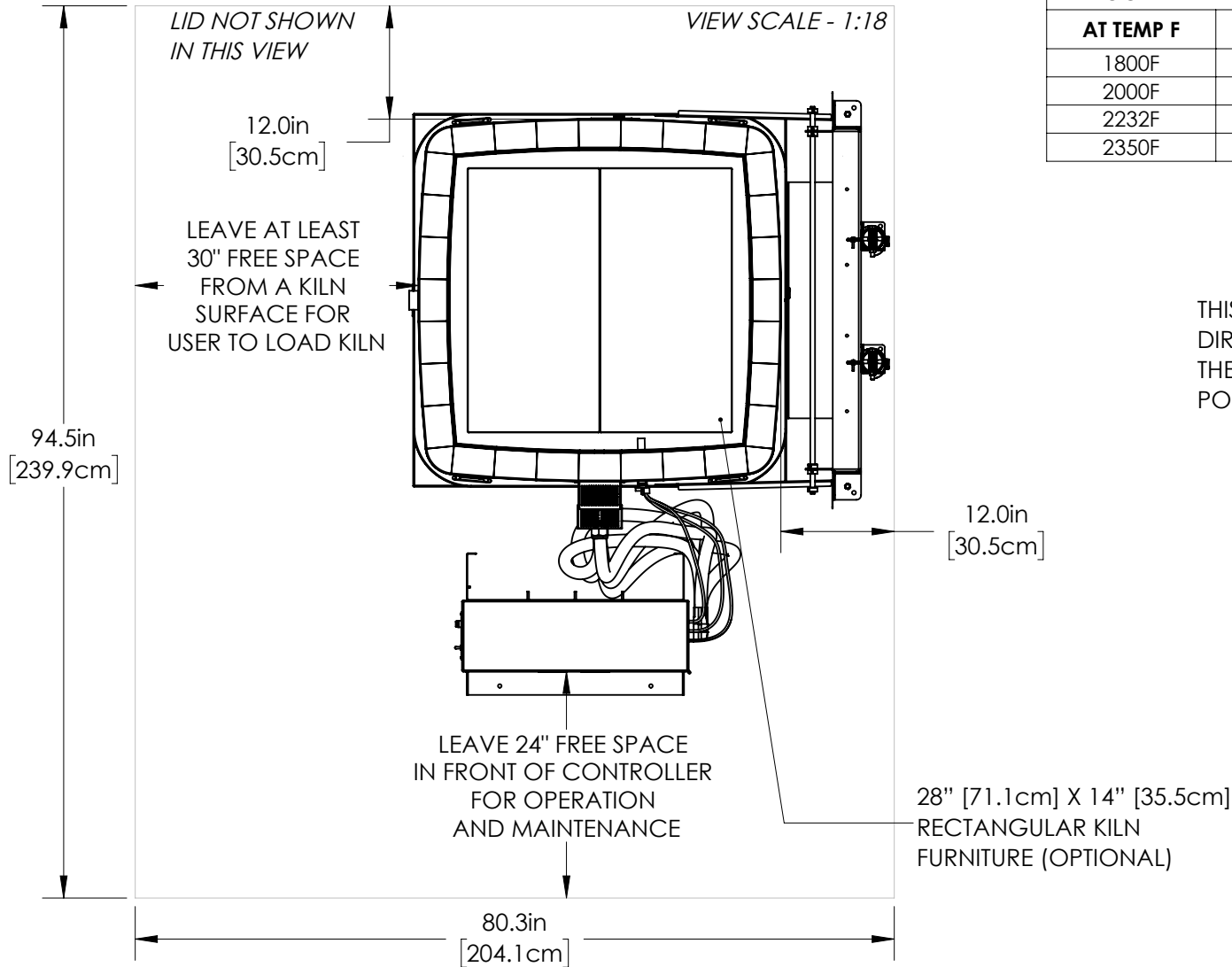


- WALL/KILN SPACING:** 12" [30.5cm] SPACING BETWEEN SIDES OF KILN AND WALLS OR OTHER OBJECTS. 18" [45.7cm] IS RECOMMENDED. LEAVE AT LEAST 18" [45.7cm] BETWEEN TWO KILNS.
- AMBIENT VENTILATION:** SEE CHART TO RIGHT FOR RATINGS. TO CALCULATE REQUIREMENTS, SEE hotkilns.com/calculate-kiln-room-ventilation.
- KILN VENTILATION:** L&L VENT-SURE KILN VENT RECOMMENDED FOR SAFETY AND LONGER ELEMENT LIFE. OPTIONAL CONTROL ALLOWS VENT TO BE TURNED ON AND OFF WITH CONTROL.

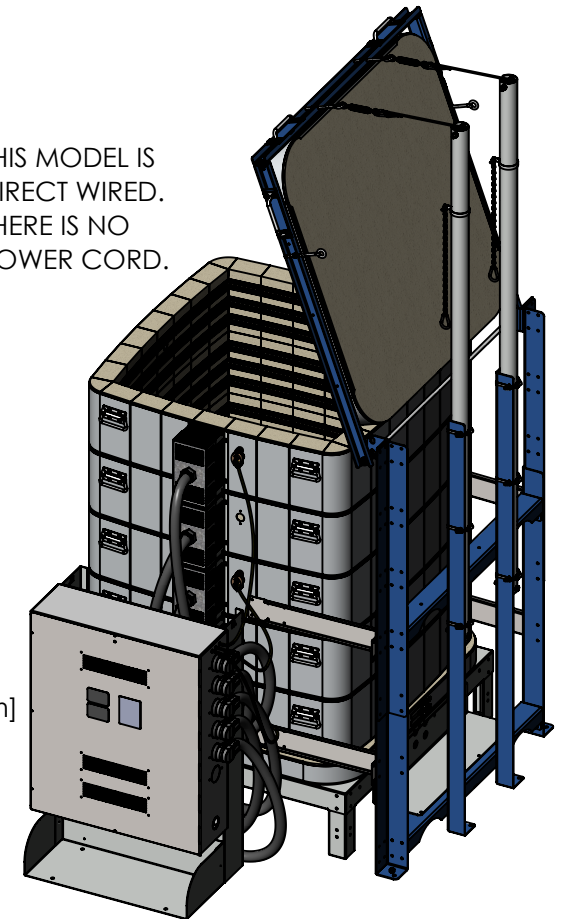
- OTHER INFO:** REFER TO INSTALLATION INSTRUCTIONS AND CAUTIONS INSTRUCTIONS FOR OTHER REQUIREMENTS AND SAFETY INFORMATION. REFER TO WIRING DIAGRAM FOR ELECTRICAL HOOKUP INFORMATION.
- MAX LOAD WEIGHT:** SEE hotkilns.com/load-weight.
- WEIGHT OF KILN:** 1065 LBS, 483 KG

BTUS/ KILOJOULES PER HOUR NEEDED TO BE VENTED WITH AMBIENT ROOM VENTILATION (THIS IS IN ADDITION TO KILN VENTING):

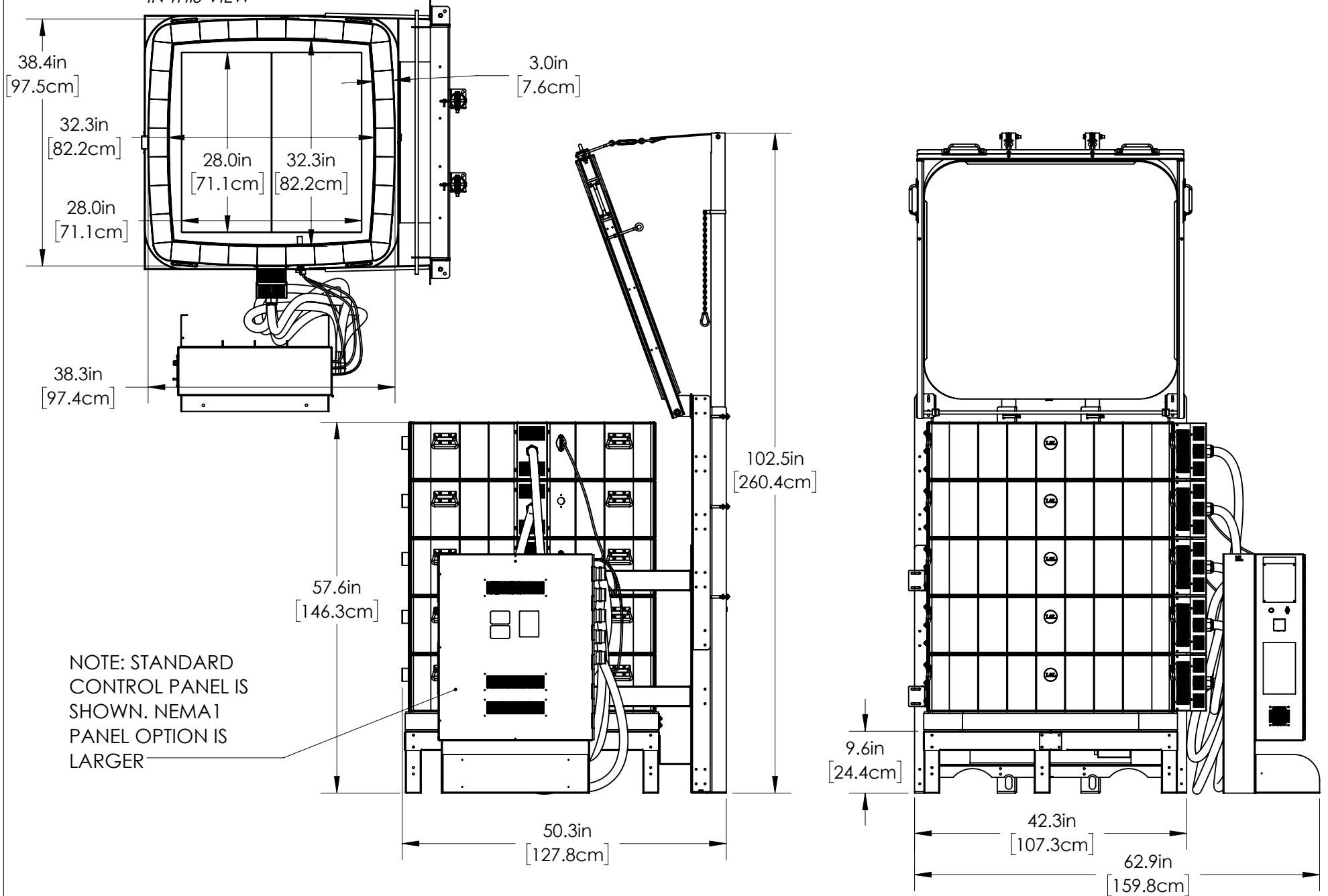
| AT TEMP F | BTUS | AT TEMP C | KILOJOULES |
|-----------|-------|-----------|------------|
| 1800F | 30904 | 980C | 32606 |
| 2000F | 36127 | 1095C | 38116 |
| 2232F | 42656 | 1222C | 45004 |
| 2350F | 46167 | 1285C | 48709 |



THIS MODEL IS DIRECT WIRED. THERE IS NO POWER CORD.



LID NOT SHOWN
IN THIS VIEW



MADE FROM
NEW

DRAWN BY
S JL

DATE
04/15/20

SCALE
1:20

TITLE
X3245-D (3" BRICK) DAVINCI GENERAL DIMENSIONS

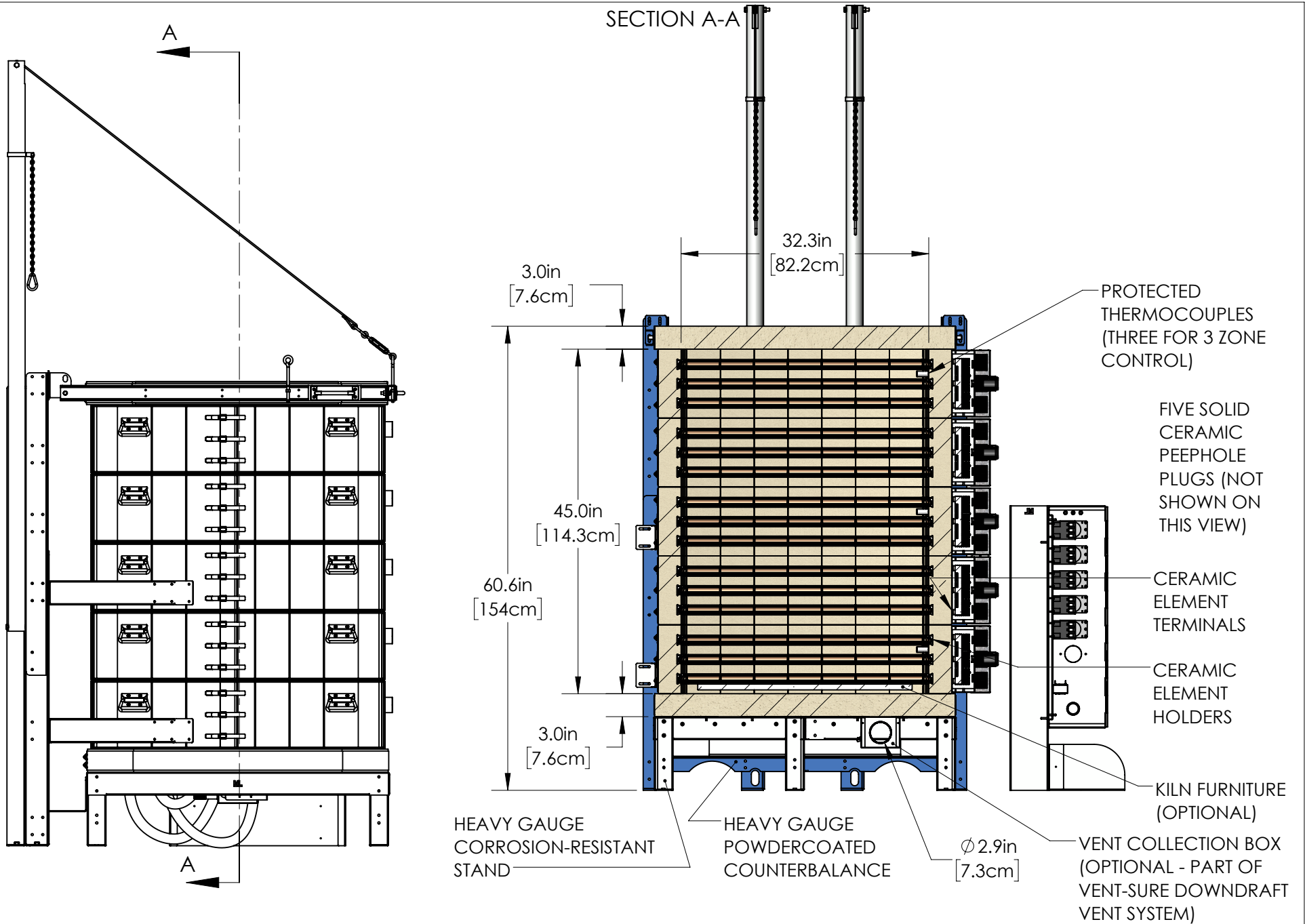
LKilns
hotkilns.com

505 SHARPTOWN RD
SWEDESBORO NJ 08085
PH: (856) 294-0077
FAX: (856) 294-0070

REV
0

SHEET OF
2/3

DRAWING NO.
300-000-40-5



| | | | | | | | | | |
|------------------|-----------------|------------------|---------------|--|-------------------------------|--|-----------------|-----------------|-----------------------------|
| MADE FROM NEW | DRAWN BY SJL | DATE 04/15/20 | SCALE 1:17 | TITLE X3245-D (3" BRICK) DAVINCI GENERAL DIMENSIONS | LKilns hotkilns.com | 505 SHARPTOWN RD SWEDESBORO NJ 08085 PH: (856) 294-0077 FAX: (856) 294-0070 | REV 0 | SHEET OF 3/3 | DRAWING NO. 300-000-40-5 |
|------------------|-----------------|------------------|---------------|--|-------------------------------|--|-----------------|-----------------|-----------------------------|

5

4

3

2

1