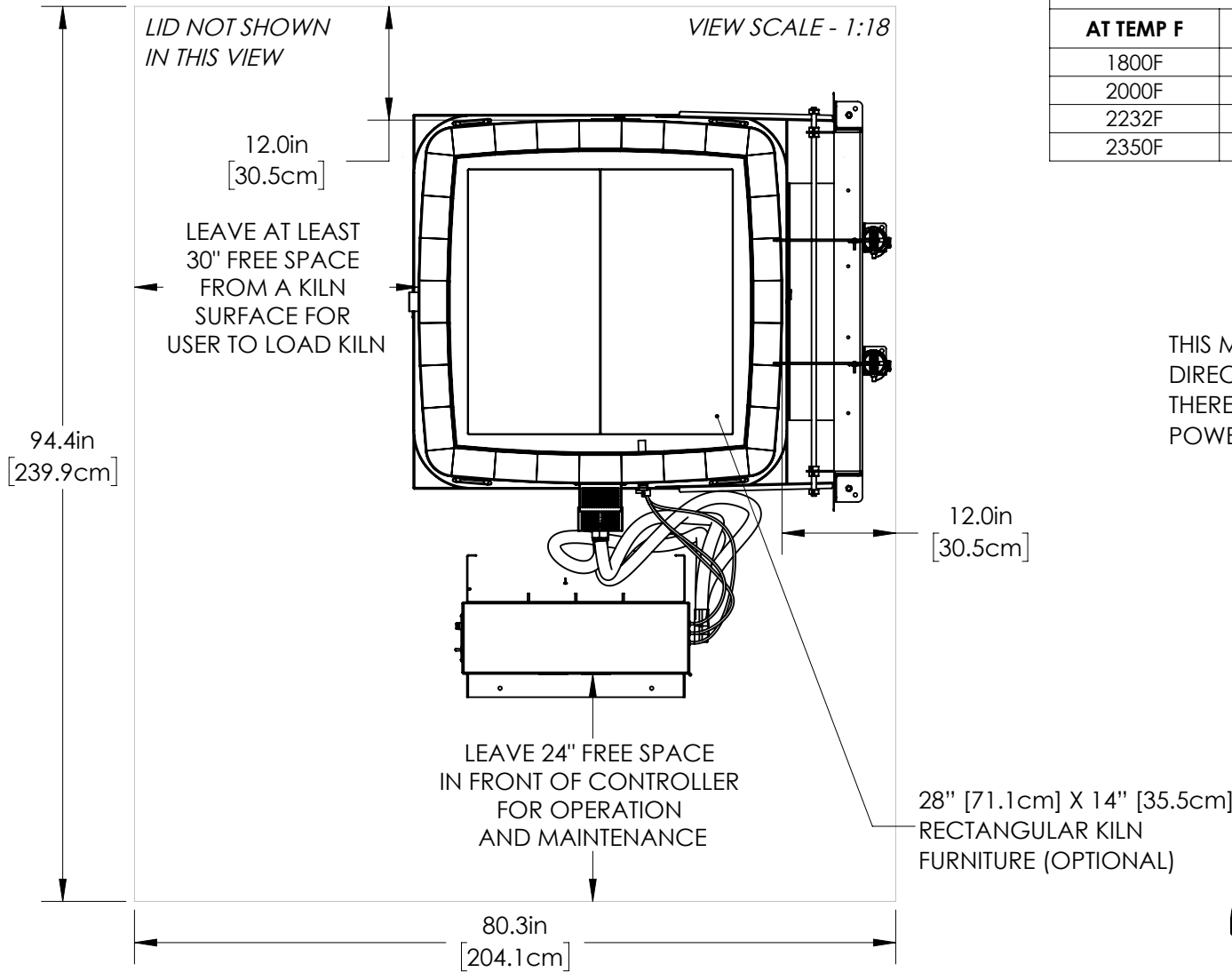


- 1. WALL/KILN SPACING:** 12" [30.5cm] SPACING BETWEEN SIDES OF KILN AND WALLS OR OTHER OBJECTS. 18" [45.7cm] IS RECOMMENDED. LEAVE AT LEAST 18" [45.7cm] BETWEEN TWO KILNS.
- 2. AMBIENT VENTILATION:** SEE CHART TO RIGHT FOR RATINGS. TO CALCULATE REQUIREMENTS, SEE hotkilns.com/calculate-kiln-room-ventilation.
- 3. KILN VENTILATION:** L&L VENT-SURE KILN VENT RECOMMENDED FOR SAFETY AND LONGER ELEMENT LIFE. OPTIONAL CONTROL ALLOWS VENT TO BE TURNED ON AND OFF WITH CONTROL.

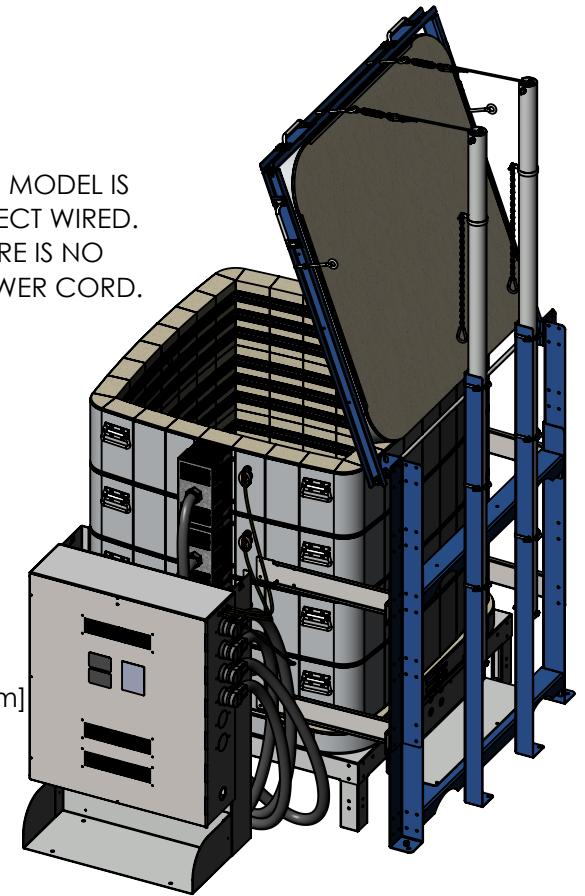
- 4. OTHER INFO:** REFER TO INSTALLATION INSTRUCTIONS AND CAUTIONS INSTRUCTIONS FOR OTHER REQUIREMENTS AND SAFETY INFORMATION. REFER TO WIRING DIAGRAM FOR ELECTRICAL HOOKUP INFORMATION.
- 5. MAX LOAD WEIGHT:** SEE hotkilns.com/load-weight.
- 6. WEIGHT OF KILN:** 970 LBS, 440 KG

BTUS/ KILOJOULES PER HOUR NEEDED TO BE VENTED WITH AMBIENT ROOM VENTILATION (THIS IS IN ADDITION TO KILN VENTING):

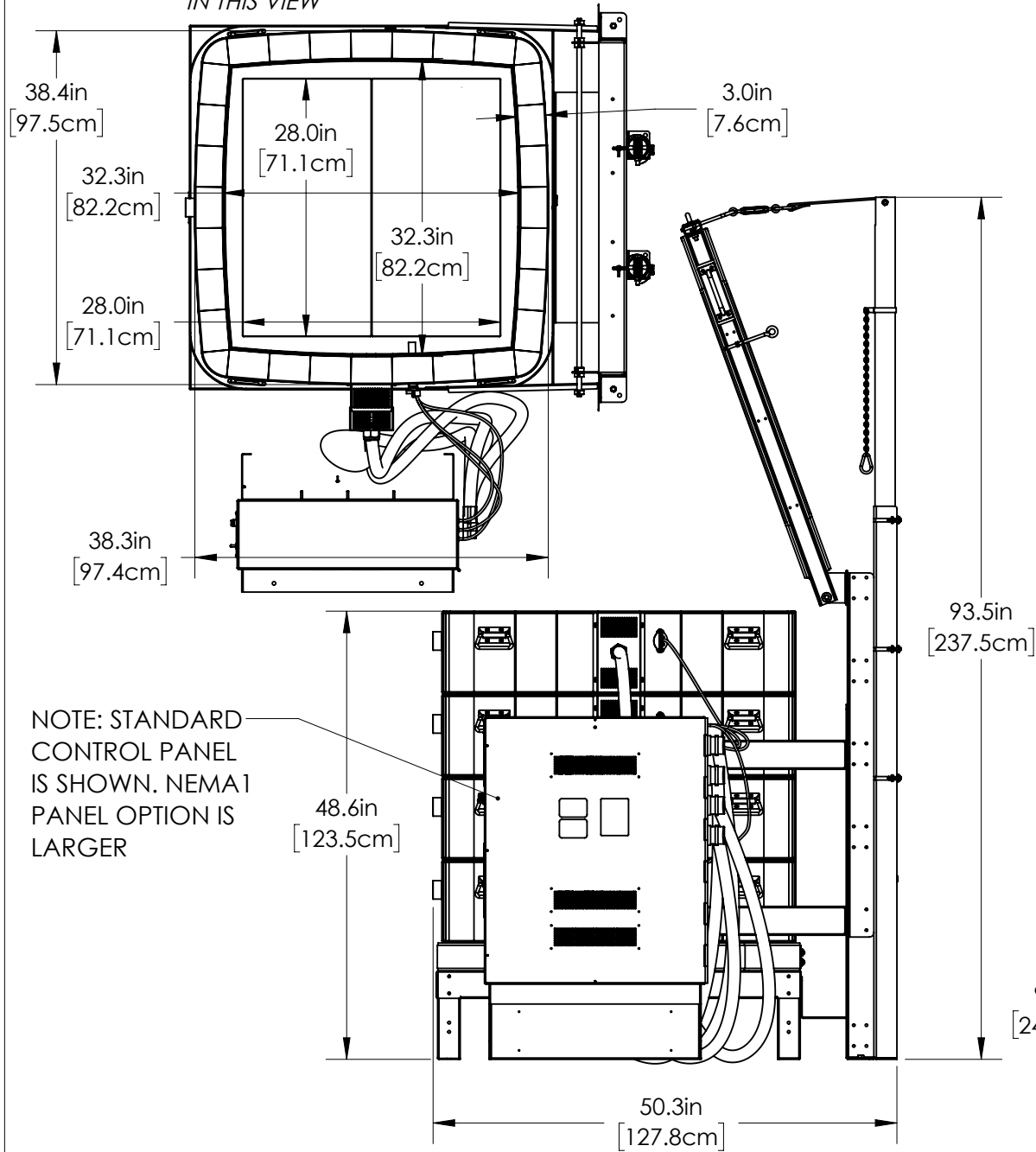
| AT TEMP F | BTUS | AT TEMP C | KILOJOULES |
|-----------|-------|-----------|------------|
| 1800F | 26274 | 980C | 27721 |
| 2000F | 30716 | 1095C | 32407 |
| 2232F | 36267 | 1222C | 38264 |
| 2350F | 39253 | 1285C | 41414 |



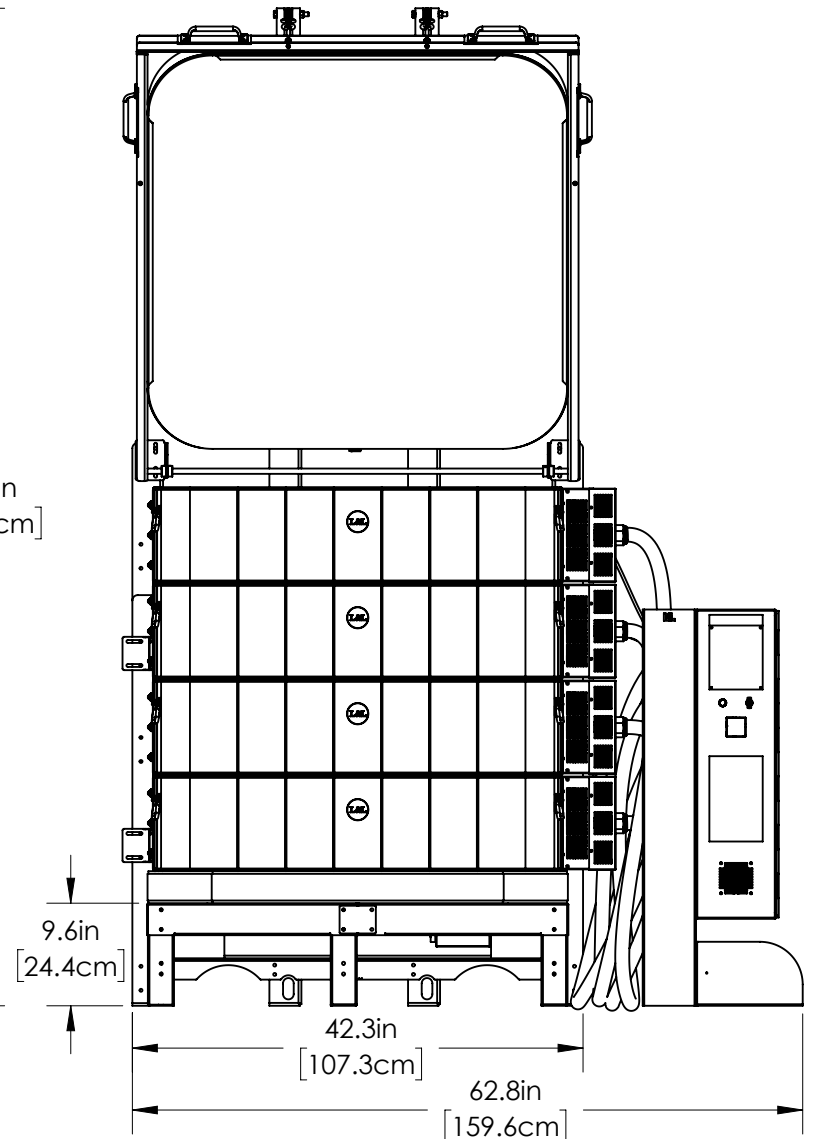
THIS MODEL IS DIRECT WIRED. THERE IS NO POWER CORD.



LID NOT SHOWN
IN THIS VIEW



EXPANDABILITY: THIS MODEL CAN BE EXPANDED TO AN X3245 BY ADDING ONE SECTION AND ADDING CORRESPONDING CIRCUITS IN THE CONTROL PANEL.



NOTE: STANDARD CONTROL PANEL IS SHOWN. NEMA 1 PANEL OPTION IS LARGER

| | | | | | | | | | |
|------------------|-----------------|------------------|---------------|--|-------------------------------|--|----------|-----------------|-----------------------------|
| MADE FROM NEW | DRAWN BY SJL | DATE 04/15/20 | SCALE 1:18 | TITLE X3236-D (3" BRICK) DAVINCI GENERAL DIMENSIONS | LKilns hotkilns.com | 505 SHARPTOWN RD SWEDESBORO NJ 08085 PH: (856) 294-0077 FAX: (856) 294-0070 | REV 0 | SHEET OF 2/3 | DRAWING NO. 300-000-40-4 |
|------------------|-----------------|------------------|---------------|--|-------------------------------|--|----------|-----------------|-----------------------------|

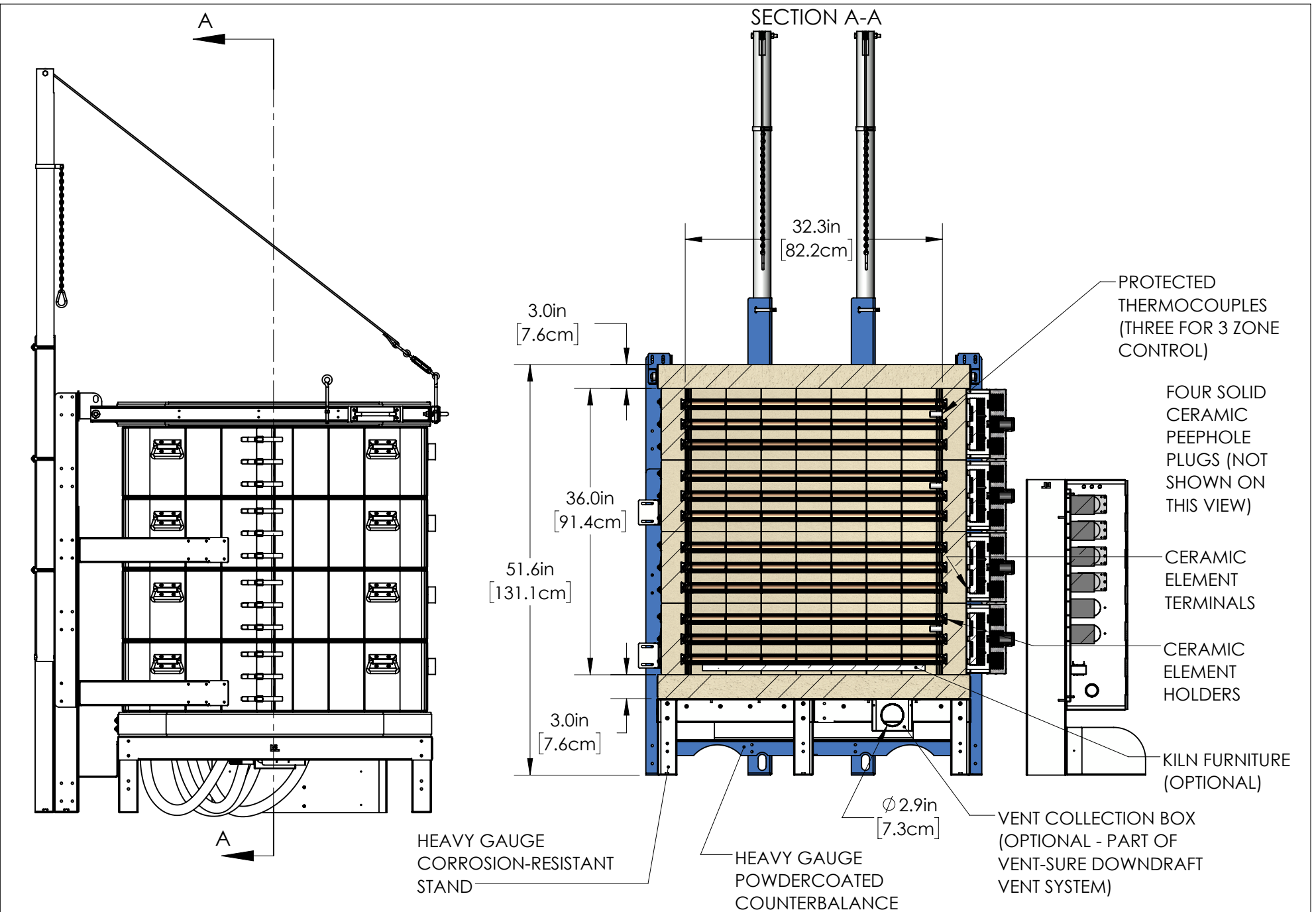
5

4

3

2

1



OPTIONAL FURNITURE KIT: (8) 28" [71.1cm] X 14" [35.5cm] RECTANGULAR SHELVES, (12) EACH 1/2", 1", 2", 4", 6" & 8" SQUARE POSTS

| | | | | | | | | | |
|------------------|-----------------|------------------|---------------|--|-------------------------------|--|----------|-----------------|-----------------------------|
| MADE FROM NEW | DRAWN BY SJL | DATE 04/15/20 | SCALE 1:16 | TITLE X3236-D (3" BRICK) DAVINCI GENERAL DIMENSIONS | LKilns hotkilns.com | 505 SHARPTOWN RD SWEDESBORO NJ 08085 PH: (856) 294-0077 FAX: (856) 294-0070 | REV 0 | SHEET OF 3/3 | DRAWING NO. 300-000-40-4 |
|------------------|-----------------|------------------|---------------|--|-------------------------------|--|----------|-----------------|-----------------------------|