

NOTES:

Control Wire:
16 AWG, 105°C
Power Wire:
10 AWG, 150°C

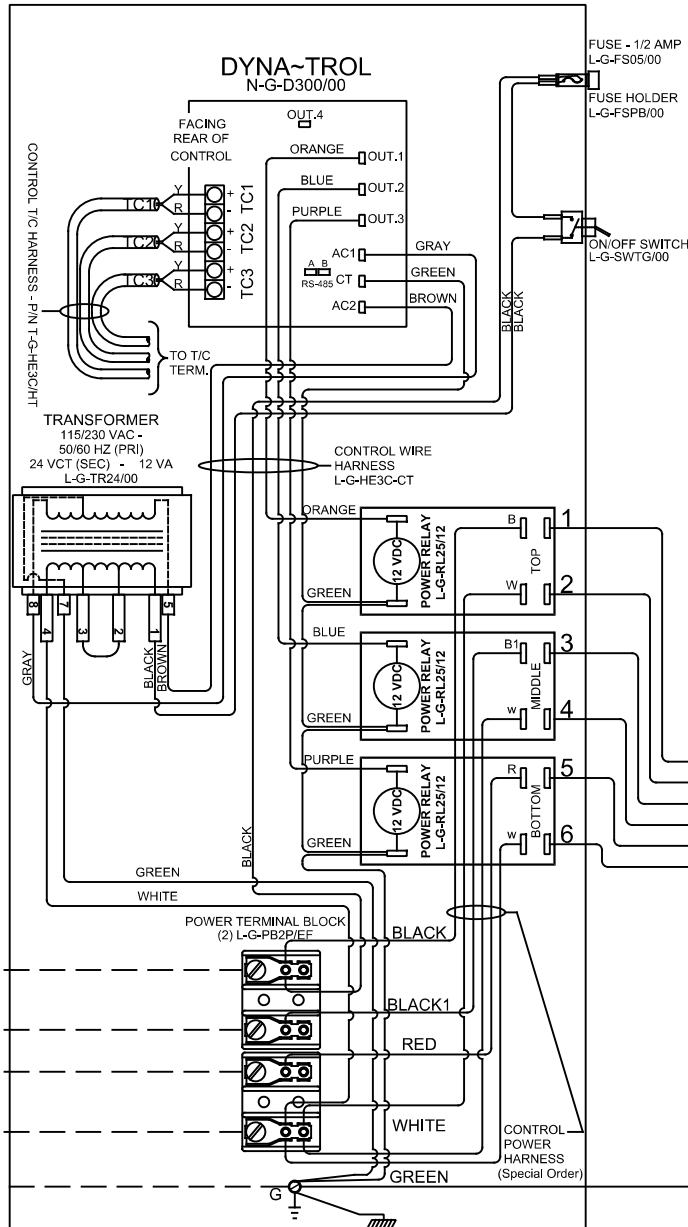
Industrial & commercial applications may require the installation of a LOCKOUT/TAGOUT device to prevent the Kiln from operating during maintenance.

This Kiln is recommended to be wired & connected to an approved U. L. & NEC configured receptacle controlled with a disconnect switch and properly fused according to the KW load load specification listed on the Kiln Nameplate. L&L Kiln Mfg., Inc., also recommends fuses rather than circuit breakers to prevent nuisance tripping.

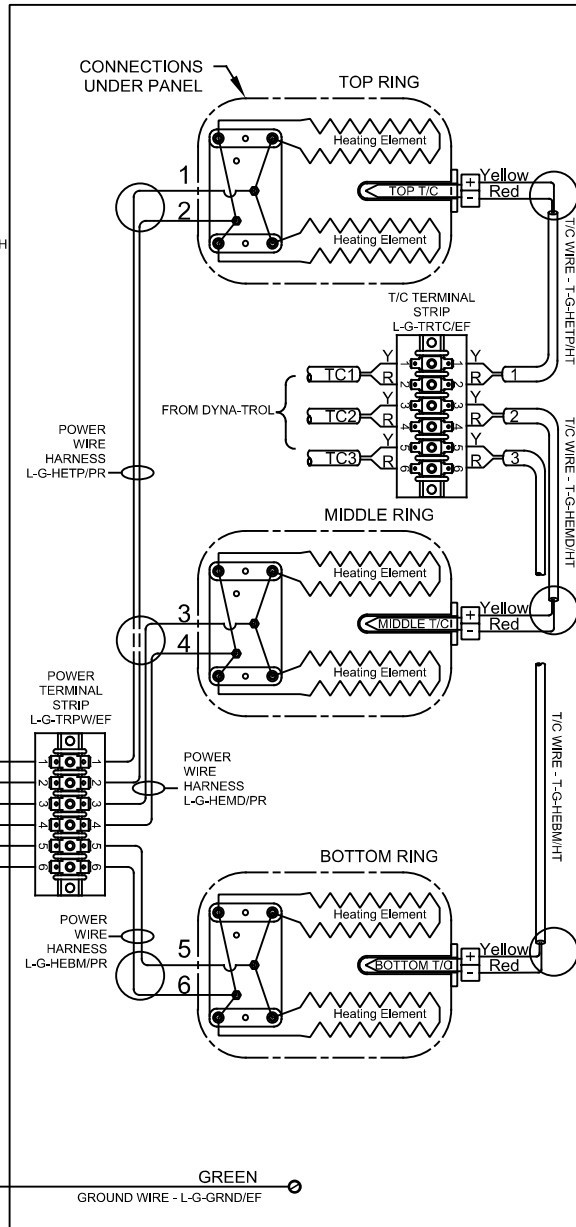


L1
L2
L3
N
G

LOOKING INSIDE CONTROL PANEL



LOOKING AT OUTSIDE OF ELEMENT COVER PANEL



SAFETY SWITCH BY CUSTOMER
Connect to
380V or 400V or 415V Volt, 4 Wire, 3 Phase Wye
50 or 60 Cycles.

Model e28T-380-3PY			
VOLTAGE	380 / 3-Y / 50-60		
WATTS	15,060		
FULL LOAD AMPS	L1	L2	L3
	22.8	22.8	22.8
POWER SUPPLY	FUSE	WIRE	
	30A	10 AWG	
ELEMENTS E-E-28TL/42	QTY	OHMS	
	6	18.6	

Model e28T-400-3PY			
VOLTAGE	400 / 3-Y / 50-60		
WATTS	17102		
FULL LOAD AMPS	L1	L2	L3
	24.8	24.8	24.8
POWER SUPPLY	FUSE	WIRE	
	40A	8 AWG	
ELEMENTS E-E-28TL/42	QTY	OHMS	
	6	18.6	

Model e28T-415-3PY			
VOLTAGE	415 / 3-Y / 50-60		
WATTS	16620		
FULL LOAD AMPS	L1	L2	L3
	23.1	23.1	23.1
POWER SUPPLY	FUSE	WIRE	
	30A	10 AWG	
ELEMENTS E-E-28TL/32	QTY	OHMS	
	6	20.0	

REV. #	DATE	CHANGED ELEMENTS TO PARALLEL	REVISION DESCRIPTION
A	3/17/17		