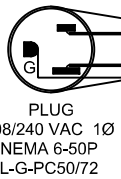


NOTES:

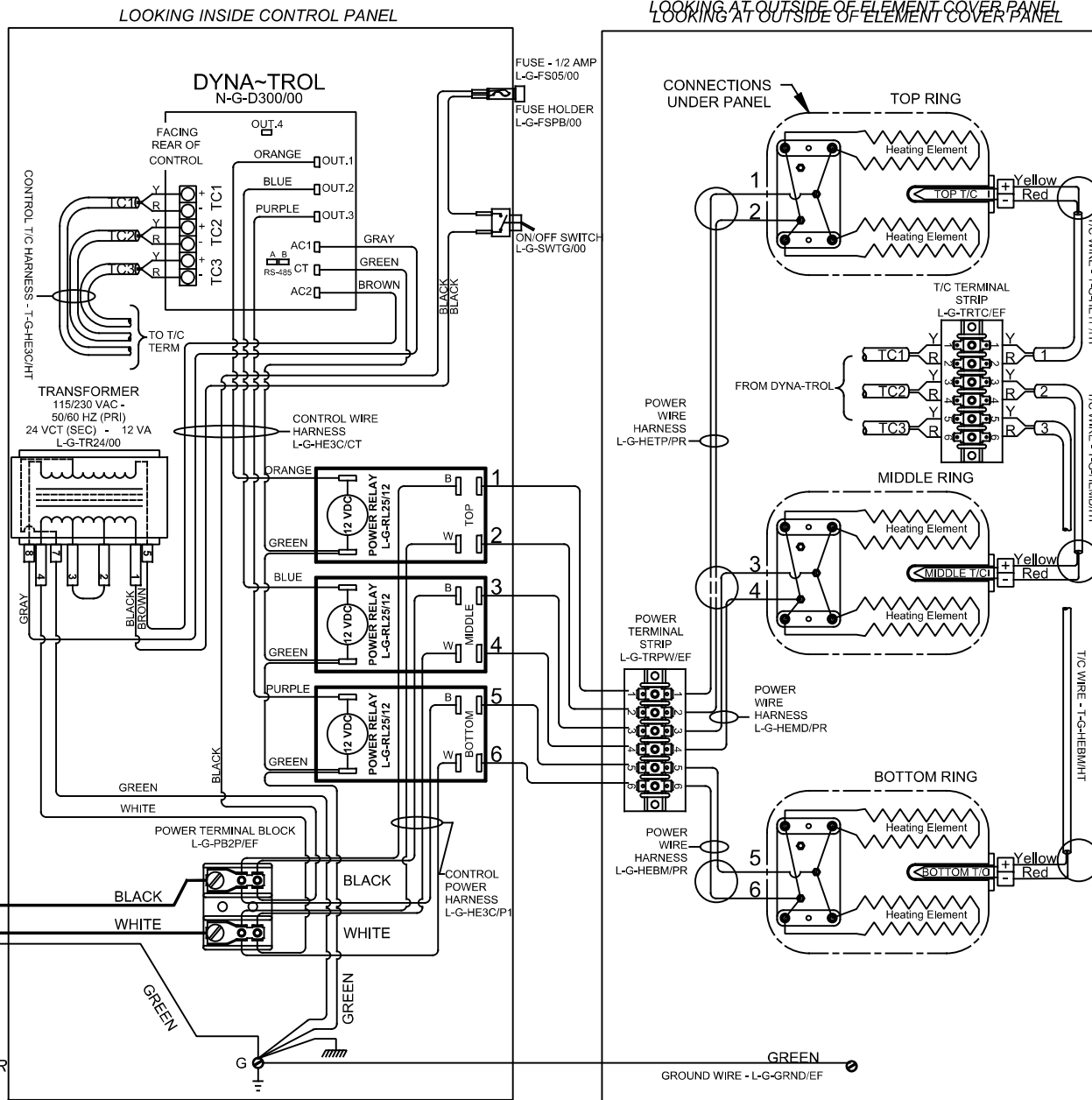
Control Wire:
16 AWG, 105°C
Power Wire:
10 AWG, 150°C

Industrial & commercial applications may require the installation of a LOCKOUT/TAGOUT device to prevent the Kiln from operating during maintenance.

This Kiln is recommended to be wired & connected to an approved U. L. & NEC configured receptacle controlled with a disconnect switch and properly fused according to the KW load specification listed on the Kiln Nameplate. L&L Kiln Mfg., Inc., also recommends fuses rather than circuit breakers to prevent nuisance tripping.



SAFETY SWITCH BY CUSTOMER
Connect to
240 Volt, 2 Wire, Single Phase - or
208 Volt, 2 Wire, Single Phase
50 or 60 Cycles.



| Model e23T-208 | |
|----------------|-----------------------------|
| VOLTAGE | 208 / 1 / 50-60 |
| WATTS | 9,980 |
| FULL LOAD AMPS | L1 L2 L3 48.0 48.0 |
| POWER SUPPLY | FUSE WIRE 60A 6AWG |
| ELEMENTS | QTY OHMS 6 25.0 |

| Model e23T-240 | |
|----------------|-----------------------------|
| VOLTAGE | 240 / 1 / 50-60 |
| WATTS | 11,520 |
| FULL LOAD AMPS | L1 L2 L3 48.0 48.0 |
| POWER SUPPLY | FUSE WIRE 60 A 6 AWG |
| ELEMENTS | QTY OHMS 6 28.9 |

| | | |
|----------------------|---------|------------------------------|
| REV. # | DATE | CHANGED ELEMENTS TO PARALLEL |
| A | 3/17/21 | |
| REVISION DESCRIPTION | | |