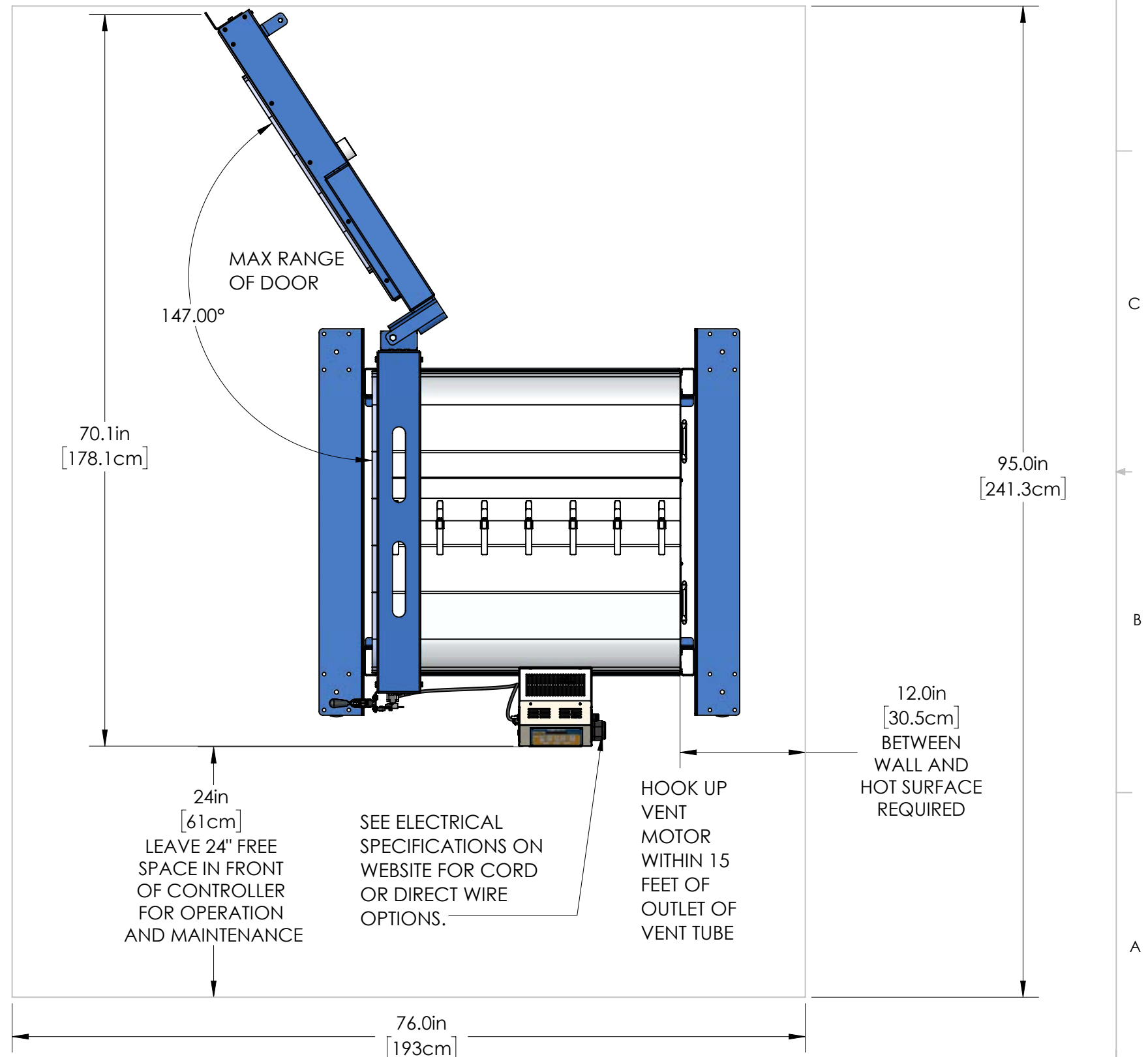


1. **WALL/KILN SPACING:** 12" [30.5cm] SPACING BETWEEN SIDES OF KILN AND WALLS OR OTHER OBJECTS. 18" [45.7cm] IS RECOMMENDED. LEAVE AT LEAST 18" [45.7cm] BETWEEN TWO KILNS.
2. **AMBIENT VENTILATION:** SEE CHART TO RIGHT FOR RATINGS. TO CALCULATE REQUIREMENTS, SEE hotkilns.com/calculate-kiln-room-ventilation.
3. **KILN VENTILATION:** L&L VENT-SURE KILN VENT RECOMMENDED FOR SAFETY AND LONGER ELEMENT LIFE. OPTIONAL CONTROL ALLOWS VENT TO BE TURNED ON AND OFF WITH CONTROL.
4. **OTHER INFO:** REFER TO INSTALLATION INSTRUCTIONS AND CAUTIONS INSTRUCTIONS FOR OTHER REQUIREMENTS AND SAFETY INFORMATION. REFER TO WIRING DIAGRAM FOR ELECTRICAL HOOKUP INFORMATION.
5. **MAX LOAD WEIGHT:** SEE hotkilns.com/load-weight.
6. **WEIGHT OF KILN:** 615 LBS, [279 KG]
7. **WEIGHT OF KILN WITHOUT DOOR:** 485 LBS [220 KG]
8. **WEIGHT OF DOOR:** 130 LBS [59 KG]

BTUS/ KILOJOULES PER HOUR NEEDED TO BE VENTED WITH AMBIENT ROOM VENTILATION (THIS IS IN ADDITION TO KILN VENTING):

AT TEMP F	BTUS	AT TEMP C	KILOJOULES
1800F	14423	980C	15217
2000F	16853	1095C	17781
2232F	19889	1222C	20985
2350F	21523	1285C	22708



CLEARANCES, LAYOUT & INSTALLATION

THE INFORMATION CONTAINED IN THIS DRAWING IS THE SOLE PROPERTY OF L&L KILN MFG INC. ANY REPRODUCTION IN PART OR AS A WHOLE WITHOUT THE WRITTEN PERMISSION OF L&L KILN MFG INC. IS PROHIBITED.

DRAWN BY
DSL

DATE
04/15/20

SCALE
1:12

TITLE

eFL2026 (3" BRICK) GENERAL DIMENSIONS

L&L Kilns
hotkilns.com

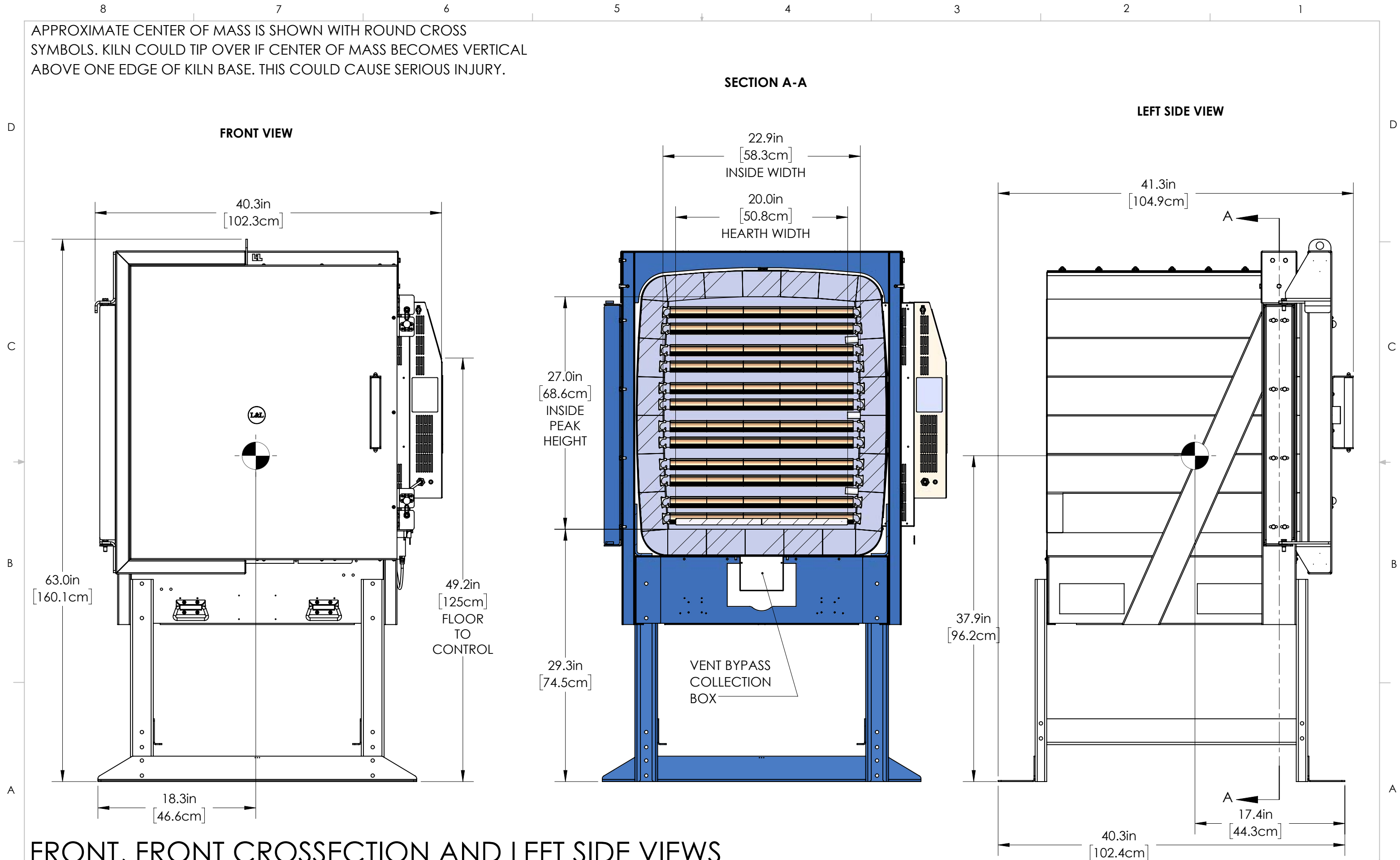
505 SHARPTOWN RD
SWEDESBORO NJ 08085
PH: (856) 294-0077
FAX: (856) 294-0070

REV
B

SHEET OF
1/4

DRAWING NO.
200-000-75

APPROXIMATE CENTER OF MASS IS SHOWN WITH ROUND CROSS SYMBOLS. KILN COULD TIP OVER IF CENTER OF MASS BECOMES VERTICAL ABOVE ONE EDGE OF KILN BASE. THIS COULD CAUSE SERIOUS INJURY.



FRONT, FRONT CROSSECTION AND LEFT SIDE VIEWS

THE INFORMATION CONTAINED IN THIS DRAWING IS THE SOLE PROPERTY OF L&L KILN MFG INC. ANY REPRODUCTION IN PART OR AS A WHOLE WITHOUT THE WRITTEN PERMISSION OF L&L KILN MFG INC. IS PROHIBITED.

DRAWN BY: DSL
 DATE: 04/15/20
 SCALE: 1:10
 TITLE: eFL2026 (3" BRICK) GENERAL DIMENSIONS

eFL2026 (3" BRICK) GENERAL DIMENSIONS

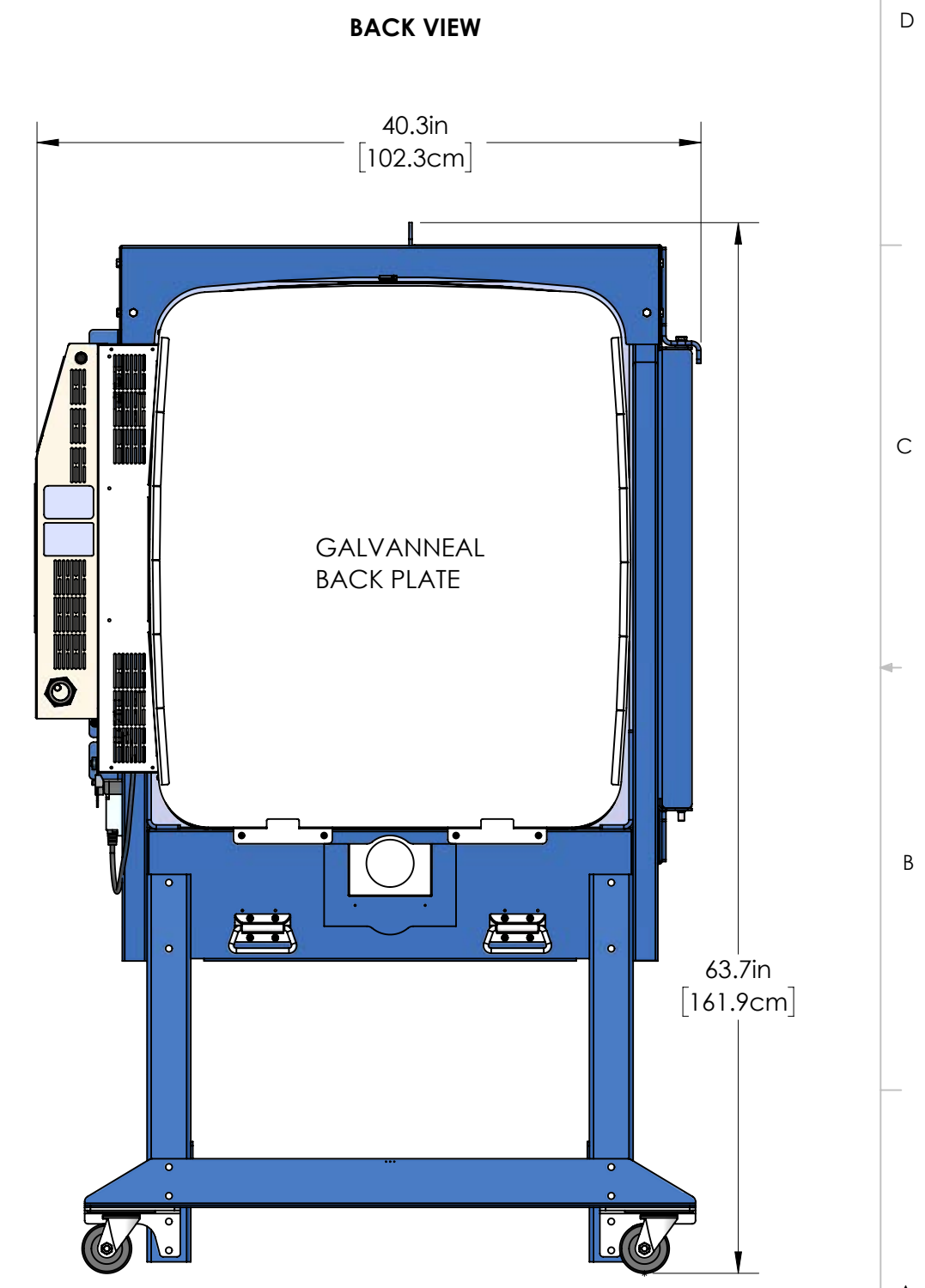
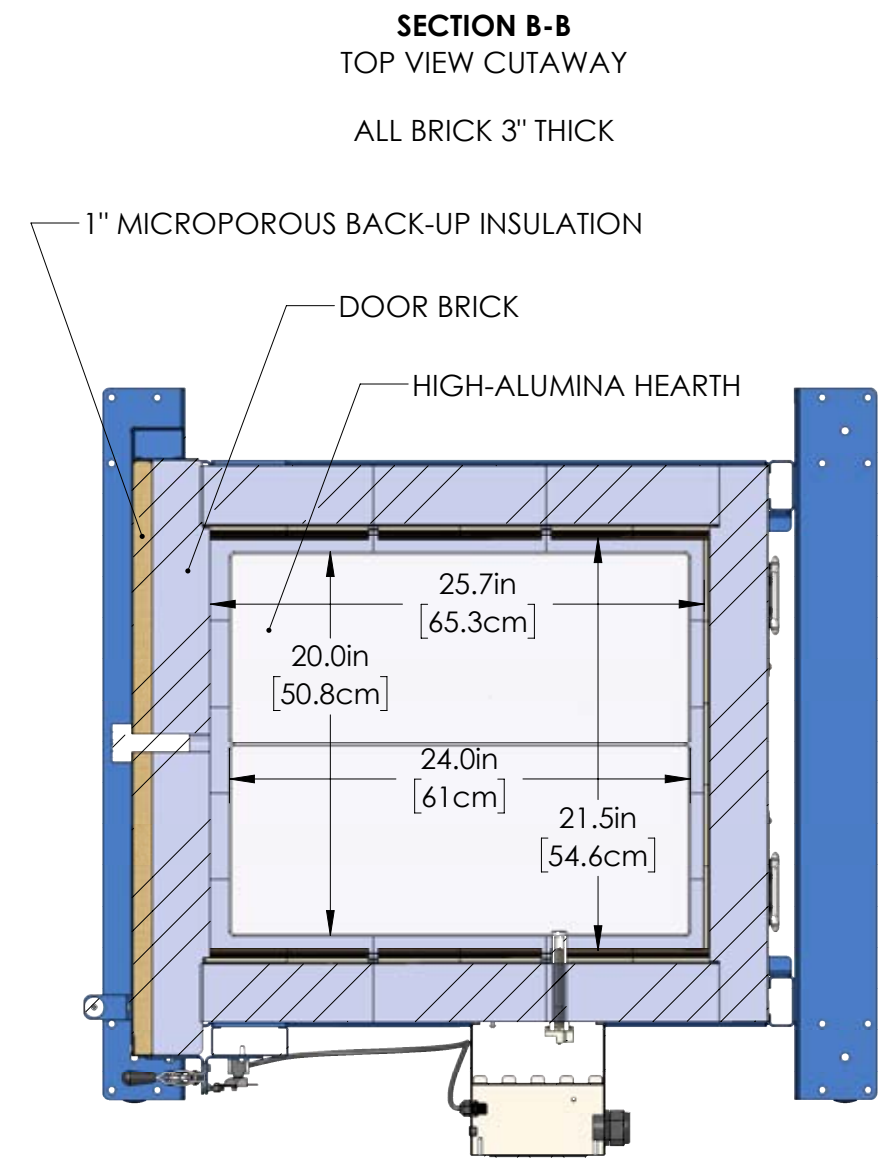
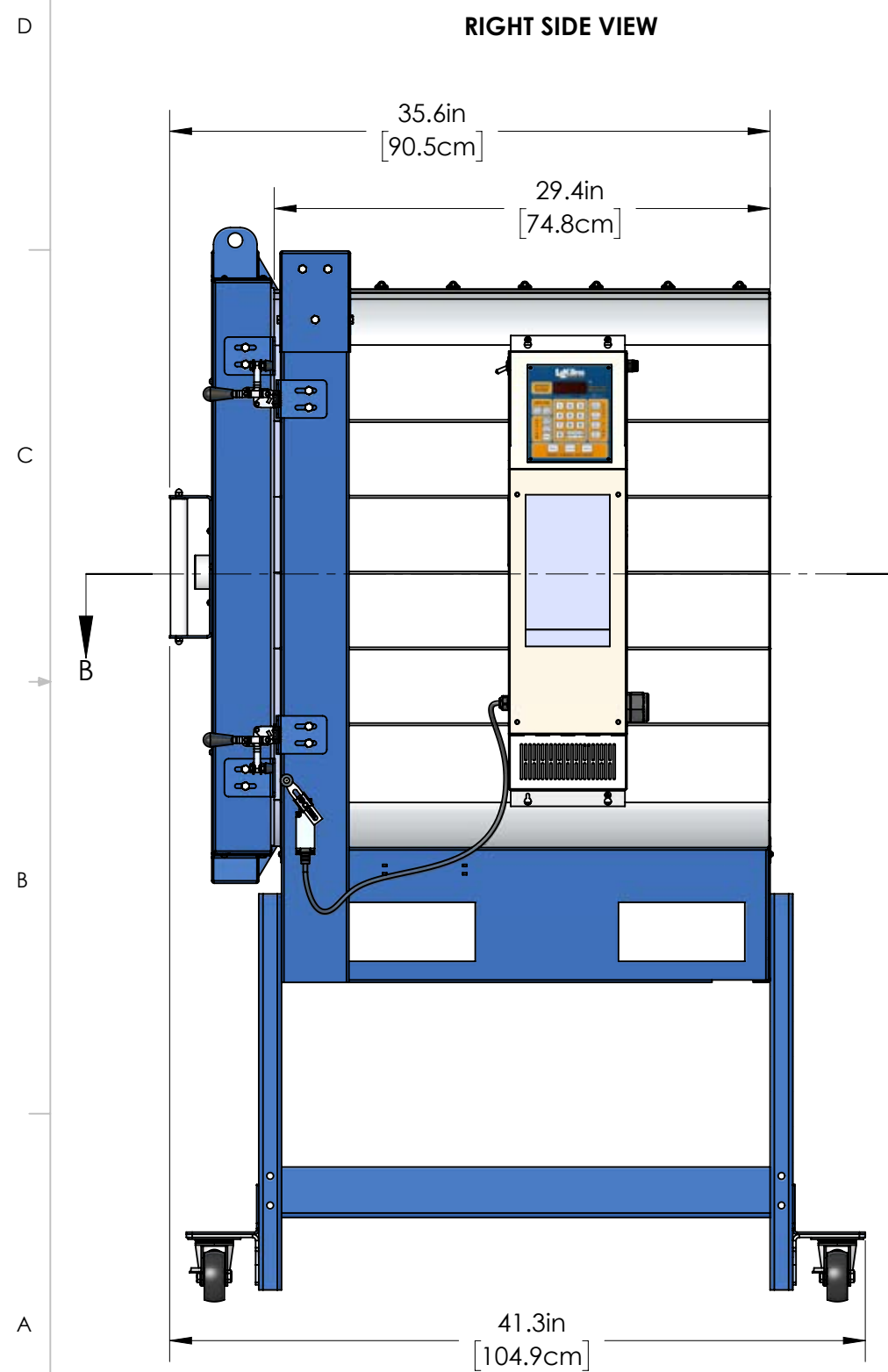


PH: (856) 294-0077
 FAX: (856) 294-0070

REV: B
 SHEET OF: 2/4
 DRAWING NO.: 200-000-75

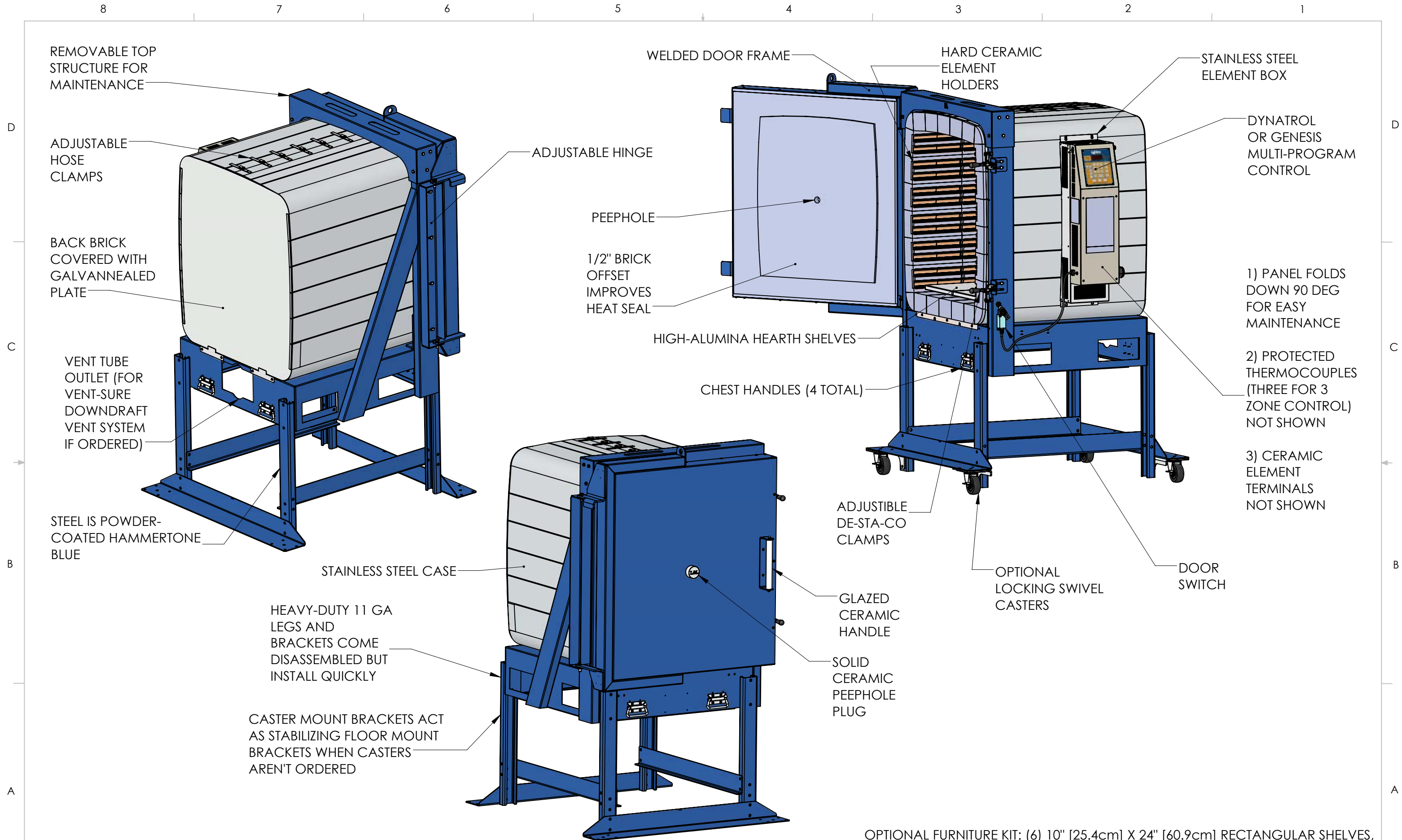
8 7 6 5 4 3 2 1

NOTE: THESE VIEWS SHOWN WITH
OPTIONAL CASTER ASSEMBLIES



RIGHT SIDE, TOP CROSSSECTION & BACK VIEWS

THE INFORMATION CONTAINED IN THIS DRAWING IS THE SOLE PROPERTY OF L&L KILN MFG INC. ANY REPRODUCTION IN PART OR AS A WHOLE WITHOUT THE WRITTEN PERMISSION OF L&L KILN MFG INC. IS PROHIBITED.				DRAWN BY DSL	DATE 04/15/20	SCALE 1:10	TITLE eFL2026 (3" BRICK) GENERAL DIMENSIONS	 505 SHARPTOWN RD SWEDESBORO NJ 08085 PH: (856) 294-0077 FAX: (856) 294-0070	REV B	SHEET OF 3/4	DRAWING NO. 200-000-75
---	--	--	--	-----------------	------------------	---------------	--	--	----------	-----------------	---------------------------



FEATURES & OPTIONS

OPTIONAL FURNITURE KIT: (6) 10" [25.4cm] X 24" [60.9cm] RECTANGULAR SHELVES, SIX EACH 1/2", 1", 2", 4", 6" AND 8" SQUARE POSTS

THE INFORMATION CONTAINED IN THIS DRAWING IS THE SOLE PROPERTY OF L&L KILN MFG INC. ANY REPRODUCTION IN PART OR AS A WHOLE WITHOUT THE WRITTEN PERMISSION OF L&L KILN MFG INC. IS PROHIBITED.		DRAWN BY DSL	DATE 04/15/20	SCALE 1:14	TITLE eFL2026 (3" BRICK) GENERAL DIMENSIONS	 505 SHARPTOWN RD SWEDESBORO NJ 08085 PH: (856) 294-0077 FAX: (856) 294-0070	REV B	SHEET OF 4/4	DRAWING NO. 200-000-75
---	--	-----------------	------------------	---------------	--	--	----------	-----------------	---------------------------