

USE WITH FOLLOWING KILN ASSEMBLIES:

MODEL	WIRING DIAGRAM
JD18	K028-110
JD18X	K032-110
JD23	K035-110
JD230	K037-110
JD2927L	K043-112

SEE KILN WIRING DIAGRAM

PLUG KILN SECTION CAPS INTO RESPECTIVE RECEPTACLES

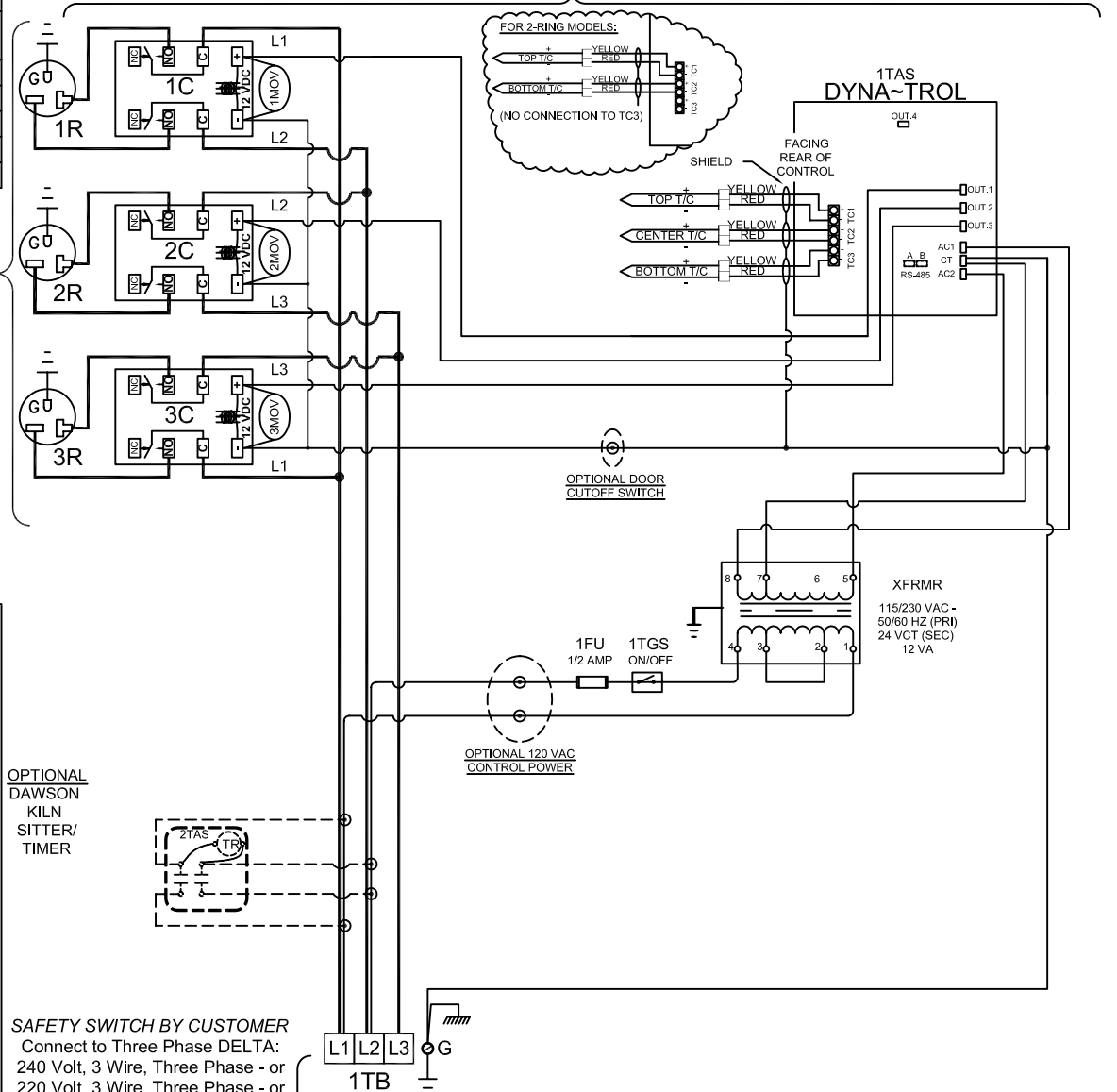
NOTES:

Control Wire:
14 AWG, SEWF, 105°C
Power Wire:
14 AWG, SEWF, 105°C

Industrial & commercial applications may require the installation of a LOCKOUT/TAGOUT device to prevent the Kiln from operating during maintenance.

This Kiln is recommended to be wired & connected to an approved U. L. & NEC configured disconnect switch and properly fused according to the KW load load specification listed on the Kiln Nameplate. L&L Kiln Mfg., Inc., also recommends fuses rather than circuit breakers to prevent nuisance tripping.

PANEL ASSEMBLY



OPTIONAL DAWSON KILN SITTER/TIMER

SAFETY SWITCH BY CUSTOMER
Connect to Three Phase DELTA:
240 Volt, 3 Wire, Three Phase - or
220 Volt, 3 Wire, Three Phase - or
208 Volt, 3 Wire, Three Phase
50 or 60 Cycles.
SEE KILN WIRING DIAGRAM FOR POWER REQUIREMENTS
SWITCHING CAPACITY =
25.4 AMPS MAXIMUM



⊙ : TERMINATION POINTS FOR OPTIONS
SEE DWG K262-190 FOR OPT 120V CONTROL POWER
SEE DWG K262-191 FOR OPT DR SW

ELECTRICAL PARTS LIST

SYMBOL	QTY	DESCRIPTION	CUSTOMER PART NO.
1TB	1	POWER CONNECTION BOARD	L-J-PBLG/02
1TAS	1	BARTLETT DYNATROL	N-G-D300/00
T/C.	3	THERMOCOUPLES (8 Ga)	T-G-E800/00
C	3	POWER RELAYS	L-G-RL25/12
1-3MOV	3	31 VOLT SURGE SUPPRESSORS	L-G-MOV0/00
1FU	1	CONTROL FUSE	L-C-FS05/00
1FUB	1	PANEL MOUNT FUSE HOLDER	L-G-FSPB/00
1TGS	1	ON/OFF TOGGLE SWITCH	L-G-SWTG/00
XFRMR	1	STEP DOWN TRANSFORMER	L-G-TR24/00
R	3	SINGLE RECEPTACLE NEMA 6-20R	L-J-SR20/00
2TAS	1(OPT)	DAWSON KILN SITTER	N-G-LT30/00
2TAS	1(OPT)	50 HZ DAWSON KILN SITTER	N-G-LT30/50

REV#	DATE	REVISION DESCRIPTION
A	6/16/09	REPLACED UL MARK WITH MET CERTIFIED MARK & ADDED NEW LOGO
0	10/2/02	MISC CHANGES FOR RELEASE
P1	1/24/01	MISC AS-BUILT CHANGES

hotkilns.com
505 SHARPTOWN ROAD
SWEDESBORO, NJ 08085
PHONE: (856) 294-0077
FAX: (856) 294-0070

CONTROL WIRING DIAGRAM
WITH PANEL MOUNTED DYNA-TROL
For 3 Phase KILN with (3) 20 Amp Sections
No Branch Circuit Fusing / No Power Bottom

DRAWN BY	G.D.L.	REV. CODE	A	DRAWING NO.	K262-152
DATE	10/20/99	SCALE	1 = 8	SHEET NO.	1 OF 1
CHK	G.D.L.	APP			
JOB NO		SER NO			
FILE NAME	L:\EVLKILN\WIRING\GCTL	MADE FROM			
	IK262-152.dwg				USERIESK037-151.dwg