

**USE WITH FOLLOWING KILN ASSEMBLIES:**

MODEL	WIRING DIAGRAM
JD18	K028-110
JD18X	K032-110
JD23	K035-110
JD230	K037-110
JD2927L	K043-112

SEE KILN WIRING DIAGRAM

PLUG KILN SECTION CAPS INTO RESPECTIVE RECEPTACLES

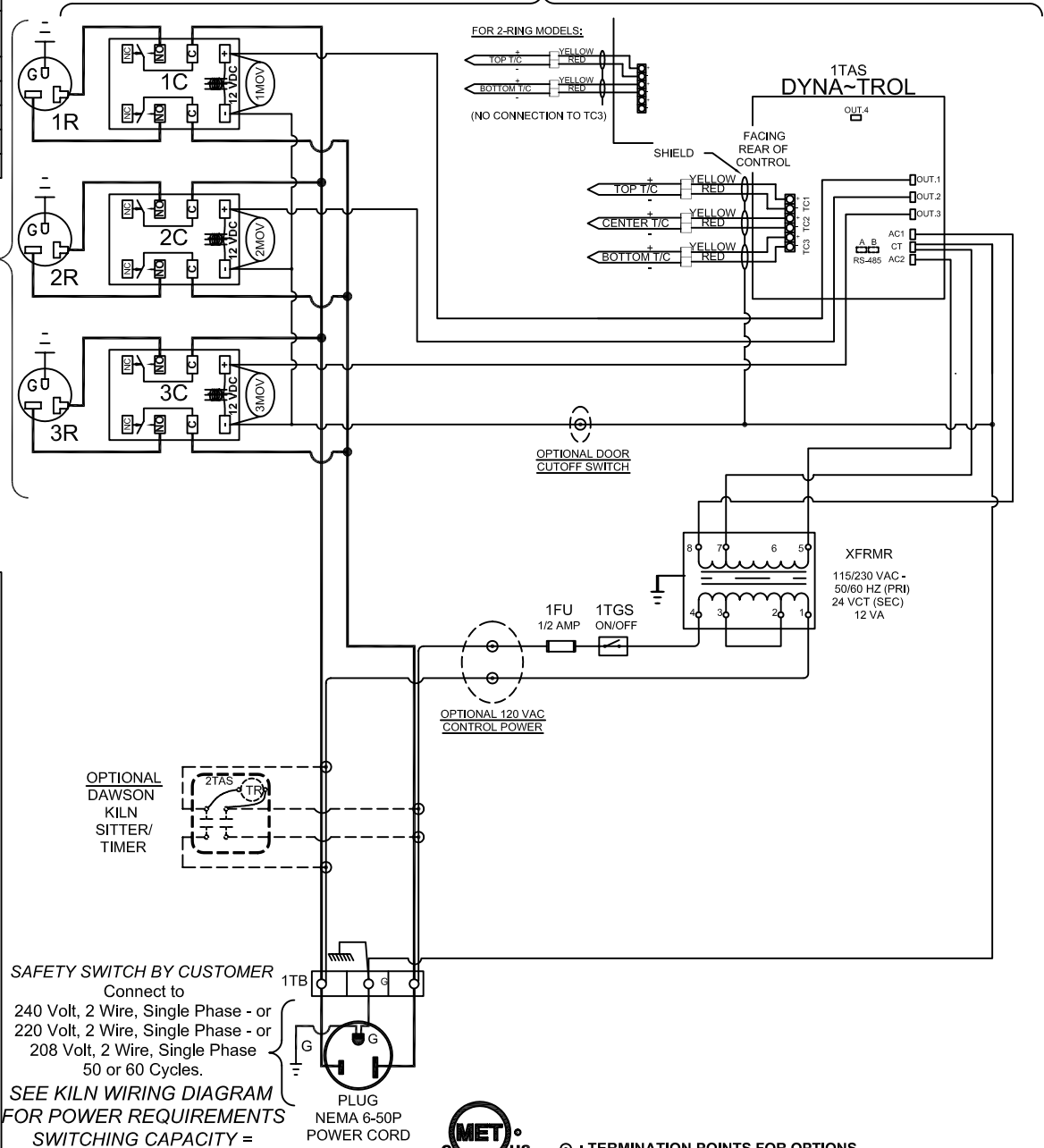
**NOTES:**

Control Wire:  
14 AWG, SEWF, 150°C  
Power Wire:  
14 AWG, SEWF, 150°C

Industrial & commercial applications may require the installation of a LOCKOUT/TAGOUT device to prevent the Kiln from operating during maintenance.

This Kiln is recommended to be wired & connected to an approved U. L. & NEC configured receptacle controlled with a disconnect switch and properly fused according to the KW load specification listed on the Kiln Nameplate. L&L Kiln Mfg., Inc., also recommends fuses rather than circuit breakers to prevent nuisance tripping.

**PANEL ASSEMBLY**



**SAFETY SWITCH BY CUSTOMER**  
Connect to  
240 Volt, 2 Wire, Single Phase - or  
220 Volt, 2 Wire, Single Phase - or  
208 Volt, 2 Wire, Single Phase  
50 or 60 Cycles.

SEE KILN WIRING DIAGRAM FOR POWER REQUIREMENTS  
SWITCHING CAPACITY =  
44 AMPS MAXIMUM



○ : TERMINATION POINTS FOR OPTIONS  
SEE DWG K262-190 FOR OPT 120V CONTROL POWER  
SEE DWG K262-191 FOR OPT DR SW

**ELECTRICAL PARTS LIST**

SYMBOL	QTY	DESCRIPTION	CUSTOMER PART NO.
PLUG	1	72" POWER PLUG, NEMA 6-50P	L-G-PC50/72
1TB	1	POWER CONNECTION BOARD	L-J-PBSM/01
1TAS	1	BARTLETT DYNATROL	N-G-D300/01
T/C.	3	THERMOCOUPLES (8 Ga)	T-G-E800/00
C	3	POWER RELAYS	L-G-RL25/12
1-3MOV	3	31 VOLT SURGE SUPPRESSORS	L-G-MOV0/00
1FU	1	CONTROL FUSE	L-C-FS05/00
1FUB	1	PANEL MOUNT FUSE HOLDER	L-G-FSPB/00
1TGS	1	ON/OFF TOGGLE SWITCH	L-G-SWTG/00
XFRMR	1	STEP DOWN TRANSFORMER	L-G-TR24/00
R	3	SINGLE RECEPTACLE NEMA 6-20R	L-J-SR20/00
2TAS	1.(OPT)	DAWSON KILN SITTER	N-G-LT30/00
2TAS	1.(OPT)	50 HZDAWSON KILN SITTER	N-G-LT30/50

REV#	DATE	REVISION DESCRIPTION
A	6/15/09	REPLACED UL MARK WITH MET CERTIFIED MARK & ADDED NEW LOGO
0	10/2/02	MISC CHANGES FOR RELEASE

**L&L Kilns**  
hotkilns.com

505 SHARPTOWN ROAD  
SWEDESBORO, NJ 08085

PHONE:(856) 294-0077  
FAX:(856) 294-0070

**TITLE**  
**CONTROL WIRING DIAGRAM**  
**WITH PANEL MOUNTED DYNA-TROL**  
For 1 Phase KILN with (3) 20 Amp Sections  
No Branch Circuit Fusing / No Power Bottom

DRAWN BY	G.D.L.	REV. CODE	A	DRAWING NO.	K262-151
DATE	10/20/99	SCALE	1 = 8		
CHK	G.D.L.	APP			
JOB NO		SER NO		SHEET NO.	1 OF 1
FILE NAME	L:\EVL\KILN\WIRING\GCTL		MADE FROM	J:\SERIES\K028-150.dwg	
	IK262-151.dwg				