

NOTES:

Control Wire:
16 AWG, 105°C
Power Wire:
10 AWG, 150°C

Industrial & commercial applications may require the installation of a LOCKOUT/TAGGOUT device to prevent the Kiln from operating during maintenance.

This Kiln is recommended to be wired & connected to an approved U. L. & NEC configured receptacle controlled with a disconnect switch and properly fused according to the KW load load specification listed on the Kiln Nameplate. L&L Kiln Mfg., Inc. also recommends fuses rather than circuit breakers to prevent nuisance tripping.

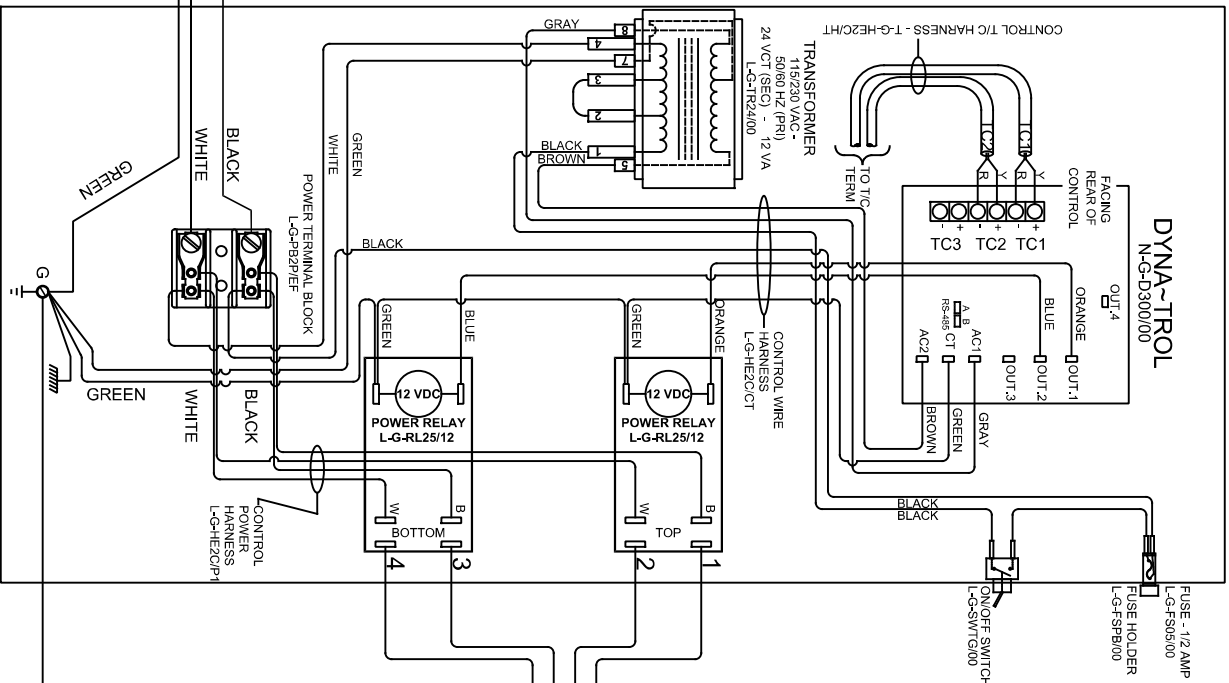


FOR 15 AMP: P/N
E-CRDDCEXT77-A1
8' LONG, MOULDED PLUG, CEE 7/7

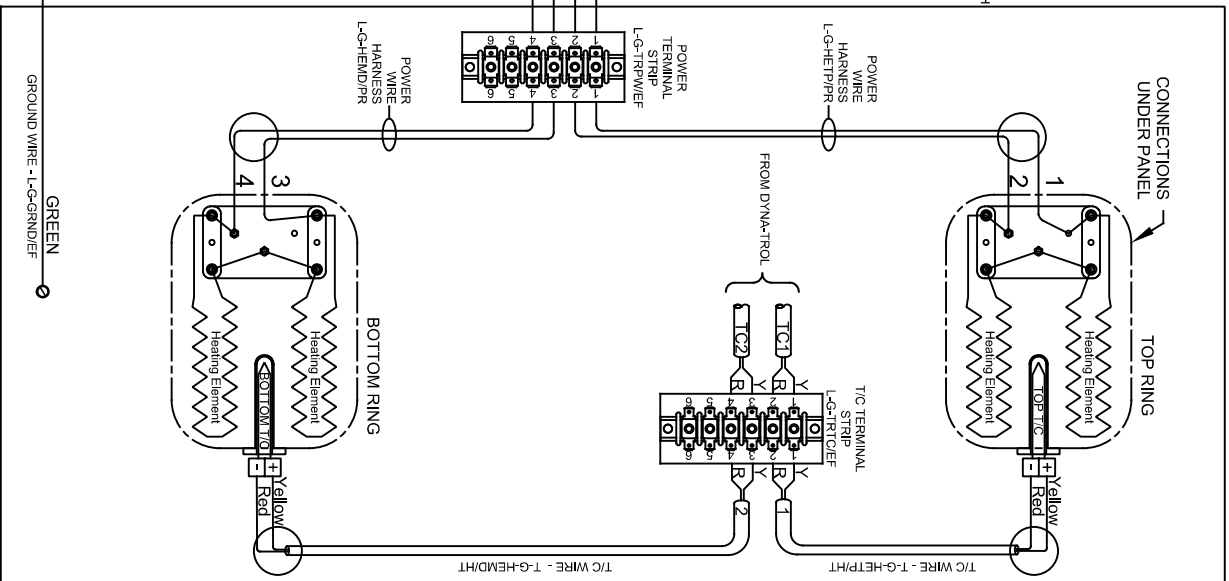
FOR 13 AMP: P/N
E-CRDD-BS1363-A1
8.2' LONG, UK MOULDED BS1363
PLUG



LOOKING INSIDE CONTROL PANEL



LOOKING AT OUTSIDE OF ELEMENT COVER PANEL



e14S-3-EU-220

VOLTAGE	220-240 / 1 / 50-60		
WATTS	~ 3,300		
FULL LOAD AMPS	L1 L2 L3	15.0 15.0 X	
POWER SUPPLY ELEMENTS	FUSE WIRE	20A 14 AWG	
E-F-F-1418/4P	QTY	OHMS	
E-F-F-1418/41	QTY	OHMS	
E-F-F-1418/41	QTY	OHMS	
E-F-F-1418/41	QTY	OHMS	
E-F-F-1418/41	QTY	OHMS	
E-F-F-1418/41	QTY	OHMS	

e14S-3-F-220

VOLTAGE	220-240 / 1 / 50-60		
WATTS	~ 3,000		
FULL LOAD AMPS	L1 L2 L3	13.0 13.0 X	
POWER SUPPLY ELEMENTS	FUSE WIRE	20A 14 AWG	
E-F-F-1418/41	QTY	OHMS	
E-F-F-1418/41	QTY	OHMS	
E-F-F-1418/41	QTY	OHMS	
E-F-F-1418/41	QTY	OHMS	
E-F-F-1418/41	QTY	OHMS	
E-F-F-1418/41	QTY	OHMS	

DRAWING NO. E292-501 1/1

SHEET OF 1

REV A

TITLE MODEL e14S EASY-FIRE KILN

SCALE 1 = 8

DATE 4/1/21

DRAWN BY S JL



585 SHARPTOWN RD
SWEDENBORO, NJ 08085
PHONE: (609) 244-0077
FAX: (609) 244-0070

PHONE: (609) 244-0077
FAX: (609) 244-0070

MODEL e14S EASY-FIRE KILN
13 & 15 AMP, SINGLE PHASE, 230V

REV #	DATE	FILE NAME	MADE FROM
A	04/01/21		
B			
C			
D			
E			
F			
G			
H			
I			
J			
K			
L			
M			
N			
O			
P			
Q			
R			
S			
T			
U			
V			
W			
X			
Y			
Z			

Checked 220V element added cross

REVISION/DESCRIPTION

MADE FROM